

Essential Commercial TV with Multiple Use

LG Commercial Lite TVs are designed specifically for hospitality and business environments. With the use of simple user-friendly interfaces and superb images and video, the LV340C facilitates communications between businesses and their target audiences. Also, the LV340C series supports WOL (Wake on LAN) and SNMP (Simple Network Management Protocol) helping IT managers remotely control TVs so improving ease-of-use.



LV340C

- Welcome Screen/Video
- USB Cloning
- ^{NEW} WOL (Wake on LAN) & SNMP
- USB Auto Playback +
- Time scheduler
- ^{NEW} Compatibility with AV Control System*

screen size

32", 43", 49", 55"



*Available AV control systems may differ by regions. Please check it with regional sales.
**Front color may differ by its inches.



Key Features



WOL (Wake on LAN)

WOL (Wake on LAN) helps you remotely turn on TVs over the internet. Connect TVs and a PC in the same network, and send Magic Packet program to the MAC addresses of registered TVs. Then, it will wake up the TVs via LAN port.



SNMP

SNMP (Simple Network Management Protocol) ensures convenient network management for SI and business managers.



USB Auto Playback+

Create and sequentially play playlists composed of informative media(video, music and image) you choose without PC and any installation.

Simple & Effective Maintenance



Hotel Mode

From channel selection to volume setting, you can control the TV settings in all the rooms with Hotel Mode. Prevent misuse by customers, set volume limits, or reset settings to default for any TV. You are in control of it all.



Lock Mode

The Lock Mode blocks external input signals with non-compliant content. A useful feature for preventing misuse of TVs in various facilities or public spaces.



USB Cloning

Clone all commercial TVs with astonishing speed and ease. The USB Cloning feature allows you to simply copy the TV settings to all TVs using a USB memory device.



Self Diagnostics (USB)

Enables service engineers to recognize technical issues in a TV quickly and easily through a USB. The TV stores any technical issues encountered and can output them to a USB device. Service engineers use this information to analyze technical issues without the actual TV.

Entertainment & Convenience



Welcome Screen/Video

With the capability to display repeatedly various video formats as well as images, Commercial Lite TVs allow for a greater variation of greeting messages in hotel rooms which make customers feel more welcome and cared for.



Time Scheduler

Create your own time scheduler of your Commercial TV. Once you set opening/closing hours and holidays, the TV will turn on/off according to work schedule.



IR OUT

Just connect your interactive set-top-box to LG Commercial TV. With a single remote control, the LG TVs in your hotel solution fall under your control.

Download LG Commercial Display Mobile App



More info www.lg.com/b2b

YouTube youtube.com/c/LGCommercialDisplay

All screen images are simulated. Dimension and weights are approximate. Design, features and specifications subject to change without notice. Copyright © 2017 LG Electronics Inc. All rights reserved. "LG Life's Good" is a registered trademark of LG Corp. The names of products and brands mentioned here may be the trademarks of their respective owners.



Essential Commercial TV with Multiple Use

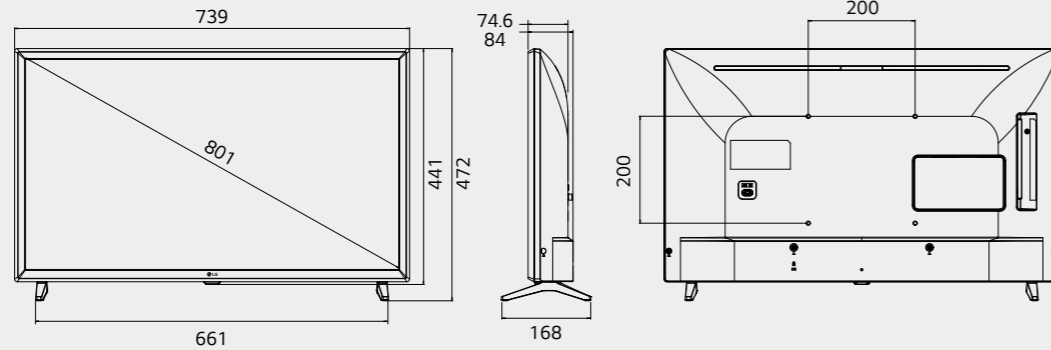
LV340C

EU/CIS

Dimensions (Unit : mm / kg)

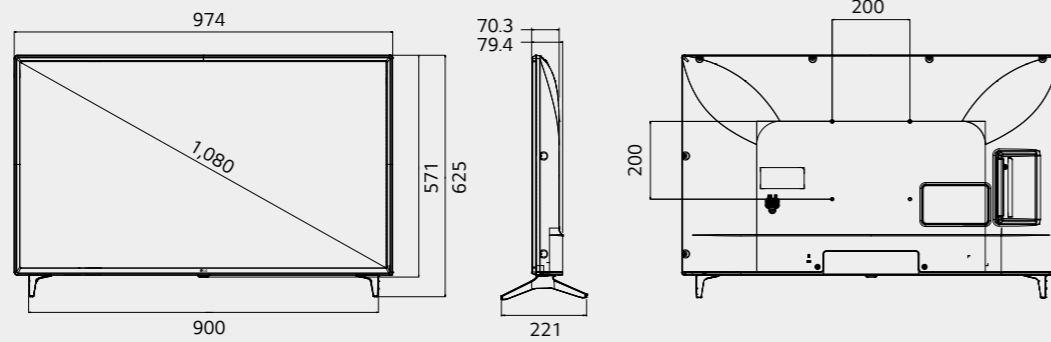
32"

739 x 472 x 168 / 4.9



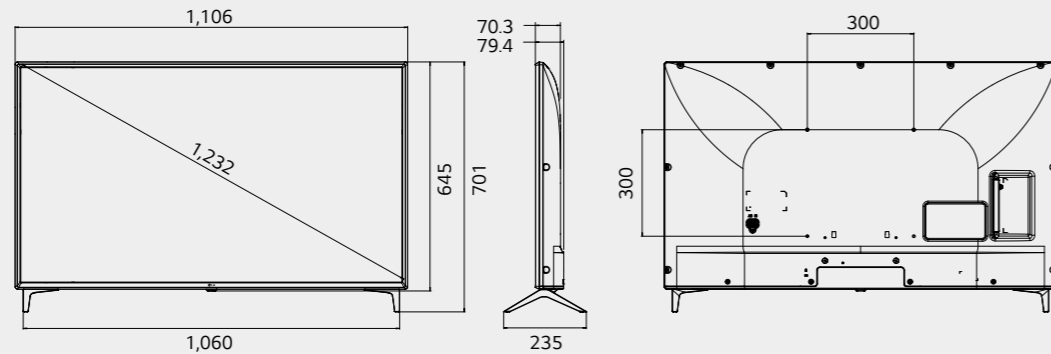
43"

974 x 625 x 221 / 9.3



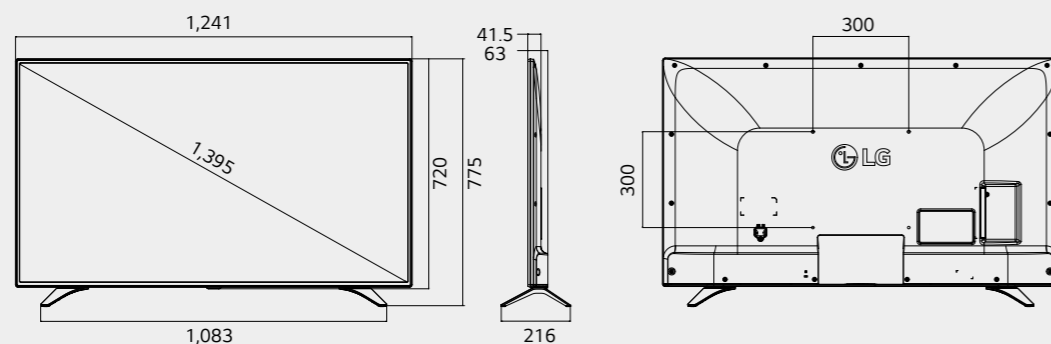
49"

1,106 x 701 x 235 / 11.4



55"

1,240 x 775 x 216 / 16.6



Specifications

		32	43	49	55
DISPLAY	Type	Direct LED			Edge LED
	Resolution	1,920 x 1,080 (FHD)			
	Brightness	240cd/m ²	400cd/m ²		
BROADCASTING SYSTEM	Analog	PAL / SECAM			
	Digital	DVB-T2/C/S2			
VIDEO	Triple XD Engine	•			
	Real Cinema 24p (3:3 Pull down)	•			
	Aspect Ratio	• 6 modes (16:9, Original, 4:3, Vertical Zoom, All-Direction Zoom, Just Scan)			
AUDIO	Audio Output / Speaker System	5W + 5W / 2.0 ch	10W + 10W / 2.0 ch		
	Sound Mode	• 6 modes (Standard, Cinema, Clear Voice III, Sports, Music, Game)			
	Clear Voice	• (Clear Voice III)			
GENERAL FEATURES	Installation	USB Cloning			
	Management	WOL (Wake on LAN), SNMP, Self Diagnostics, IR Out, Multi IR Code, HTNG/HDMI-CEC			
	Setting Option	Auto Off / Sleep Timer, Motion Eye Care, Smart Energy Saving			
	Anti-theft System	Kensington Lock			
HOSPITALITY FEATURES		Hotel Mode, Lock Mode, Welcome Screen/Video, Insert Image, One Channel Map, External Speaker Out, RJP Compatibility, USB Auto Playback+, Crestron Connected® Certified, Time Scheduler			
INTERFACE	Side	Headphone Out, HDMI In, USB 2.0, CI Slot			
	Rear	RF In (2), AV In, Component In (Audio, RCA5), Digital Optical Audio Out, HDMI/HDCP Input, RGB In, PC Audio Input, RS-232C, RJ45 (SNMP), External Speaker Out			
CABINET (Unit : mm)	Vesa	200 x 200		300 x 300	
	W x H x D / weight (With Stand)	739 x 472 x 168 / 4.9kg	974 x 625 x 220 / 9.3kg	1,107 x 701 x 235 / 11.5kg	1,241 x 775 x 216 / 16.6kg
	W x H x D / weight (Packing)	812 x 510 x 142 / 6.1kg	1,060 x 660 x 152 / 11.3kg	1,193 x 770 x 158 / 13.5kg	1,360 x 835 x 152 / 21.3kg
POWER (Unit: Watts)	Voltage, Hz	100~240V, 50 / 60 Hz			
	Max	53.5	88.7	98.1	119.8
	Typical	37.7	62.7	74.2	95.2
	Energy Saving (Min)	30.2	50.2	59.4	76.2
	Energy Saving (Med)	20.7	34.5	40.8	52.4
	Energy Saving (Max)	11.3	18.8	22.3	28.6
	Stand-by	0.3			
ECO	ErP Class	A+			
	On Power Consumption	30	53	64	78
	Luminance Ratio (%)	65			
	Mercury Content (mg)	0			
STANDARD APPROVAL	Presence of Lead	Yes			
	Average Annual Consumption (kWh)	42	74	89	108
	Safety	CB, CU TR			
	Environment	CE			

Connectivity

