

UHD Commercial TV with Essential Smart Function

UU640C

LG Commercial Lite TVs are designed specifically for diverse business environments. Especially via compatibility with AV Control system and DPM(Display Power Management) as well as its smart connectivity, simple user friendly interface, and ULTRA HD picture quality, the UU640C series enhances the ease of use while facilitating communications between businesses and their target audiences. Also, managers can improve management efficiency by using management features such as Content Manager, Group Manager, Wake On LAN, Simple Network Management Protocol.



* Actual product appearance may differ from the above simulated scene.
* UU640C(EU/CIS) series basically have a two-pole stand.

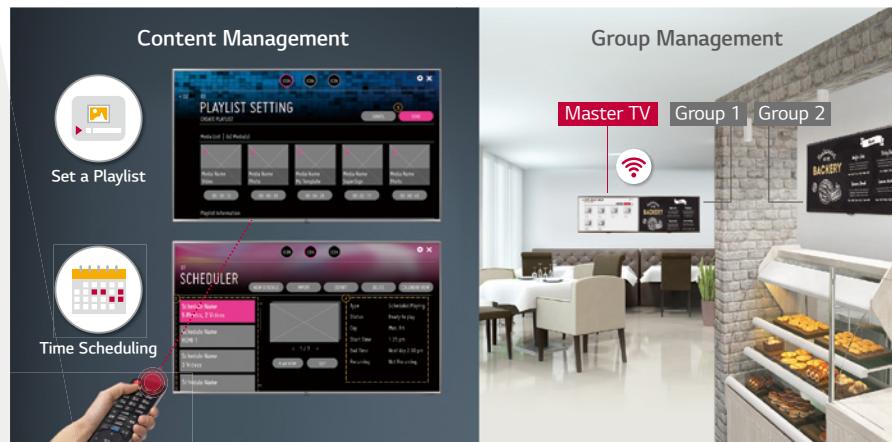
UHD Commercial TV with Essential Smart Function

UU640C

Simple Content Management

Embedded Content Management & Group Management

The embedded Content Management & Group Management System allows you to edit and play content, schedule a playlist and even group and control signages via remote control, mouse or even mobile phone, without needing a separate PC or software. This makes content management much easier and user-friendly.



* The scenes are simulated for illustrative purposes. Actual GUI may differ from the accompanying image.

** All displays must be connected to the same network.

USB Data Cloning

USB data cloning makes managing multiple displays more efficient for optimal operation, since users don't have to set up each display one by one. Once users copy data to a USB in one display, it will be easily distributed to others through a USB plug-in.



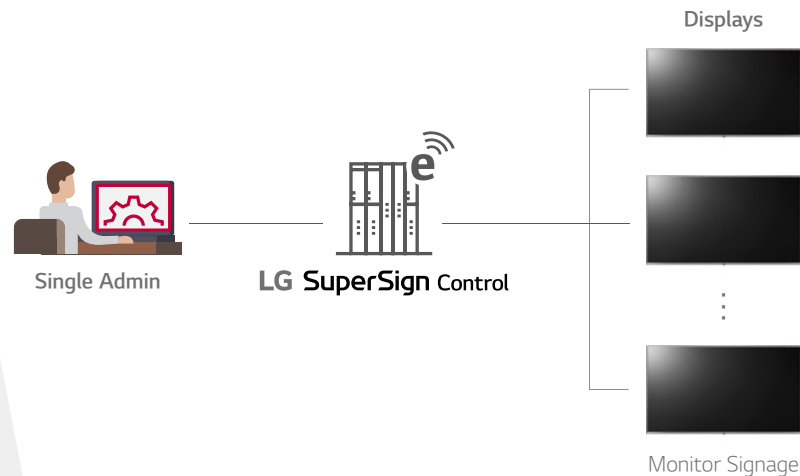
UHD Commercial TV with Essential Smart Function

UU640C

Value-added Software Solution

SuperSign Control

SuperSign Control is a basic control software. Up to 100 displays are controlled by one account with a single server. Essential factors such as power, volume, scheduling can be remotely adjusted, with firmware updates supported.



Perfect picture quality and color

Enjoy Full HD content in 4K ULTRA HD quality by 4K Upscaler. The 4K Upscale automatically upgrades Full HD content to ULTRA HD through several steps of the upscaling processes. And also this LG TV can deliver intense highlights, vivid colors and deep black on the screen by HDR10.



* SuperSign Control : Free version (Good at - Operating small and medium-sized signage displays)
* SuperSign Control+ : Advanced and Paid version (Good at - Operating large-scale signage displays)
* See more for SuperSign Control+ at LG.com/B2B

UHD Commercial TV with Essential Smart Function

UU640C

Easier Maintenance

Real-Time Remote Monitoring

In case of malfunctions or errors, real-time remote care is available. When an error occurs, a notification can be sent through the SNMP (Simple Network Management Protocol) protocol.

Power & Network in One Line

WOL (Wake-on-LAN) enables users to send a message through network to turn on displays. This greatly simplifies the installation and maintenance processes as only a single wire is required for power and network connection.



UHD Commercial TV with Essential Smart Function

UU640C

Better Usability - Meeting room

Compatibility with AV Control Systems

This LG TV has Crestron Connected® Certification, a function that is dedicated to meeting room and that meets the growing need in corporate meeting space market.



* It is a network based control system.
Available AV control systems may differ by regions.

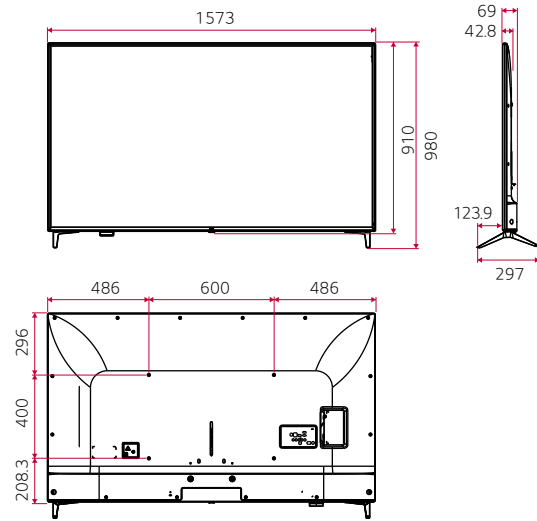
DPM (Display Power Management)

From now on, you can configure the DPM (Display Power Management) function by setting the function to on. When there is no signal, the TVs enters to DPM mode to manage power efficiently.

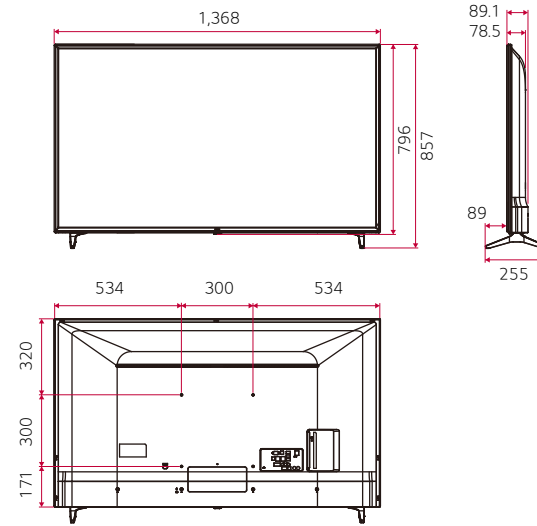


Dimensions

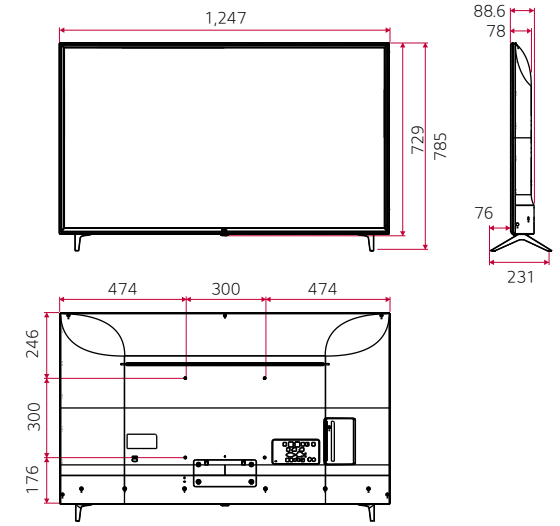
70"



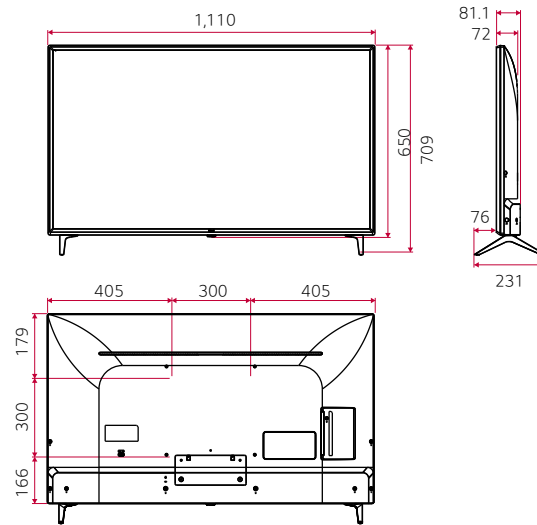
60"



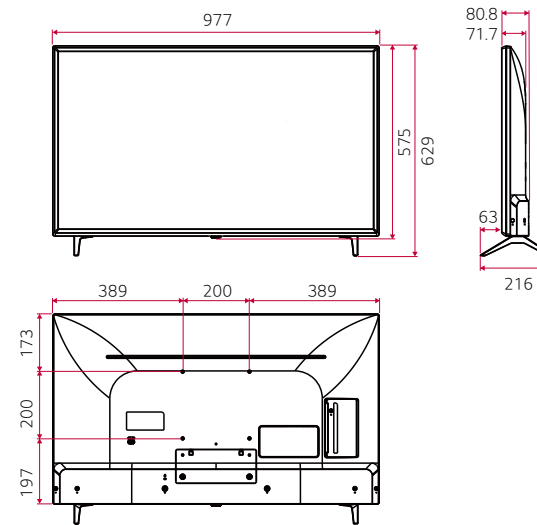
55"



49"



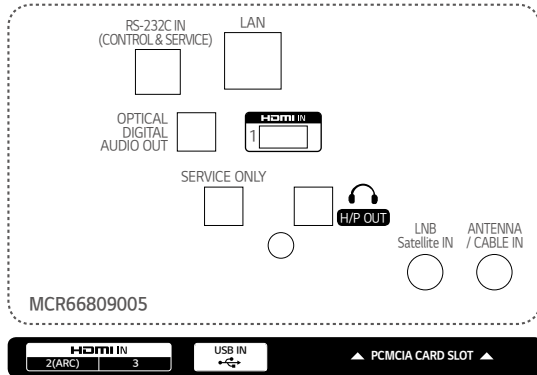
43"



* UU640C (EU/CIS) series basically have a two-pole stand, but it is able to detach the stand from the body, per service environment (can be used as a wall-mount unit).

Connectivity

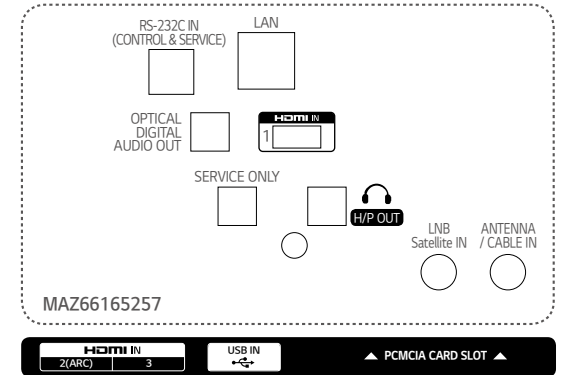
70"



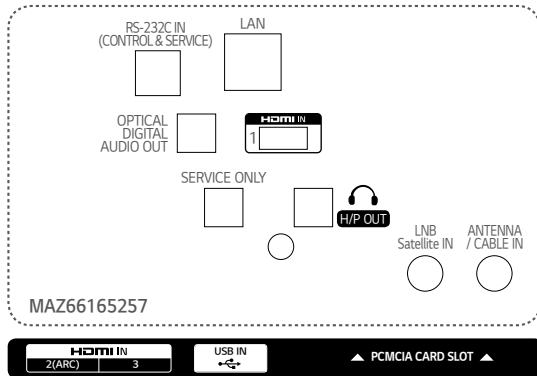
60"

To be updated

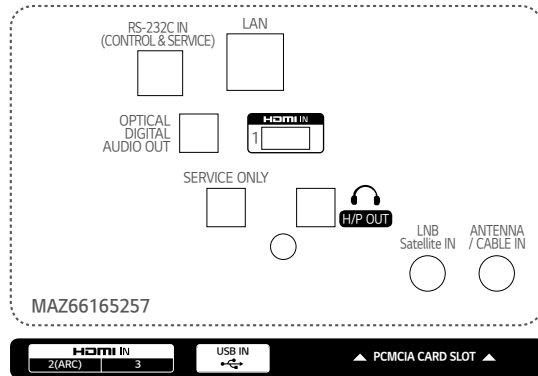
55"



49"



43"



* Dimensions & Jack Panels (Read/Side) may differ from the above image, so please contact LG salesteam to verify before ordering.

Specifications

	70UU640C	60UU640C	55UU640C	49UU640C	43UU640C	
PANEL	Screen Size	70"	60"	55"	49"	43"
	Backlight Type	LED (Direct)	LED (Direct)	LED (Direct)	LED (Direct)	LED (Direct)
	Resolution	3,840 x 2,160 (4K UHD)	3,840 x 2,160 (4K UHD)	3,840 x 2,160 (4K UHD)	3,840 x 2,160 (4K UHD)	3,840 x 2,160 (4K UHD)
	Brightness (cd/m ²)	400	350	500	400	400
	Dynamic Contrast Ratio (Dynamic MCI (Hz))	1,000,000:1	1,000,000:1	1,000,000:1	1,000,000:1	1,000,000:1
	Static (Panel) Contrast Ratio	4,000:1	4,000:1	1,300:1	1,200:1	1,200:1
	Viewing Angle (H x V)	176 x 176	176 x 176	178 x 178	178 x 178	178 x 178
Response Time (G to G, ms)	8	8.8	9	8	6	
BROADCASTING SYSTEM	Analog	• (PAL/SECAM)	• (PAL/SECAM)	• (PAL/SECAM)	• (PAL/SECAM)	• (PAL/SECAM)
	Digital	•	•	•	•	•
	XD Engine	•	•	•	•	•
VIDEO	Aspect Ratio	• 6 modes (16:9, Original, Full Wide, 4:3, Vertical Zoom, All-Direction Zoom)				
	HDR 10 / HDR Dolby Vision	• / -	• / -	• / -	• / -	• / -
	Audio Output	10 W + 10 W	10 W + 10 W	10 W + 10 W	10 W + 10 W	10 W + 10 W
AUDIO	Speaker System	2.0 ch	2.0 ch	2.0 ch	2.0 ch	2.0 ch
	Sound Mode	• 6 modes (Standard, Cinema, Clear Voice III, Sports, Music, Game)				
	Clear Voice	• (Clear Voice III)	• (Clear Voice III)	• (Clear Voice III)	• (Clear Voice III)	• (Clear Voice III)
	Dolby Atoms	-	-	-	-	-
	Adaptive Sound Control	•	•	•	•	•
	One Touch Sound Tuning	-	-	-	-	-
	Audio Channel	•	•	•	•	•
SMART FEATURE	webOS 4.0, Smart Home (Launcher Bar), Web Browser, Pre-loaded App (Youtube Only), Soft AP, Wi-Fi (ac), Screen Share (Miracast), DIAL, Bluetooth Audio Playback, LG Sound Sync/Bluetooth, Mobile Connection Overlay, Music Player					
SUPERSIGN SW COMPATIBILITY ¹⁾	Content Management Software (CMS), Control and Monitoring Software (Control/Control+)					
FUNCTION	USB Cloning, WOL (Magic Packet Only), SNMP, Diagnostics, SI Compatible, HTNG-CEC (1.4), HDMI-CEC (1.4), IR Out, Multi IR Code, BEACON					
HOSPITALITY FEATURES	Hotel Mode / PDM / Installer Menu, Lock Mode (Limited), One Channel Map, Welcome Screen, Insert Image, External Speaker Out, RJP Interface, RJP Compatibility, Time Scheduler, Auto Off / Sleep Timer, Smart Energy Saving, Motion Eye Care, Crestron Connected [®] (Network Based Control), DPM, Embedded Content Manager/Group Manager, RTC, NTP Sync Timer, Healthcare Headphone Mode					
JACK INTERFACE	Set Side	HDMI In 2.0 (2), USB 2.0, CI Slot	HDMI In 2.0 (2), USB 2.0, CI Slot	HDMI In 2.0 (2), USB 2.0, CI Slot	HDMI In 2.0 (2), USB 2.0, CI Slot	HDMI In 2.0 (2), USB 2.0, CI Slot
	Set Rear	RF In (2), Digital Audio Out, HDMI/HDCP Input 2.0, RS-232C (Phone Jack Type, Control & Service), Headphone Out, RJ45, Debug (Phone Jack Type)				
DIMENSION (UNIT : mm)	Vesa	600 x 400	300 x 300	300 x 300	300 x 300	200 x 200
	W x H x D / Weight (with stand)	1,573 x 980 x 297 / 33.2 kg	1,368 x 857 x 255 / 19.6 kg	1,247 x 785 x 231 / 13.9 kg	1,110 x 709 x 231 / 11.3 kg	977 x 629 x 216 / 8.4 kg
	W x H x D / Weight (without stand)	1,573 x 910 x 42.8 (SPK: 69.0) / 32.5kg	1,368 x 796 x 78.5 (SPK: 89.1) / 19.4kg	1,247 x 729 x 74.3 (SPK: 88.6) / 13.7kg	1,110 x 650 x 72 (SPK: 81.1) / 11.1kg	977 x 575 x 71.7 (SPK: 80.8) / 8.3kg
	W x H x D / Weight (Packing)	1,682 x 1,075 x 175 / 41.3 kg	1,492 x 880 x 190 / 25.3 kg	1,360 x 835 x 175 / 18.5 kg	1,193 x 770 x 158 / 13.4 kg	1,060 x 660 x 152 / 10.5 kg
POWER (UNIT : WATTS)	Voltage, Hz	100 - 240V, 50/60Hz	100 - 240V, 50/60Hz	100 - 240V, 50/60Hz	100 - 240V, 50/60Hz	100 - 240V, 50/60Hz
	Max	233.5	TBD	149.3	133.5	117.7
	Typical	207.2	TBD	124.1	107.9	92.2
	Energy saving (Min/Med/Max)	137 / 89 / 35	TBD	88 / 63 / 35	75 / 55 / 33	68 / 52 / 33
	Stand-by	0.3	0.3	0.3	0.3	0.3

1) Software compatibility may change over time. Please contact LG sales representative for details.

* Specifications are subject to change without notice, so please contact LG salesteam to verify before ordering.



Download
LG C-Display+
Mobile App

Google Play Store

- www.lg.com/b2b
- www.youtube.com/c/LGCommercialDisplay
- www.facebook.com/LGInformationDisplay
- www.linkedin.com/company/LGInformationDisplay

LG may make changes to specifications and product descriptions without notice.
Copyright © 2018 LG Electronics Inc. All rights reserved. "LG Life's Good" is a registered trademark of LG Corp.
The names of products and brands mentioned here may be the trademarks of their respective owners.

