

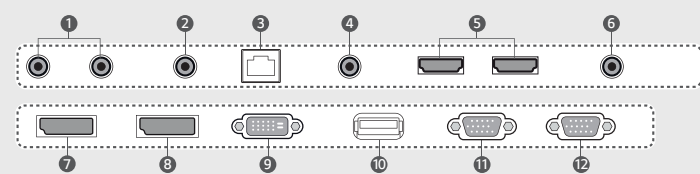
## Specifications

LS75C Series	55LS75C	49LS75C	42LS75C
Screen Size	55"	49"	42"
Panel Technology	IPS	IPS	IPS
Aspect Ratio	16:9	16:9	16:9
Native Resolution	1,920 x 1,080 (FHD)	1,920 x 1,080 (FHD)	1,920 x 1,080 (FHD)
Brightness	700 cd/m <sup>2</sup>	700 cd/m <sup>2</sup>	700 cd/m <sup>2</sup>
Contrast Ratio	1,300:1	1,300:1	1,300:1
Viewing Angle (H x V)	178 x 178	178 x 178	178 x 178
Response Time	8ms (G to G BW) typ.	8ms (G to G BW) typ.	8ms (G to G BW) typ.
Surface Treatment	Hard Coating (3H), Anti-glare Treatment of the Front Polarizer (Haze 10%)	Hard Coating (3H), Anti-glare Treatment of the Front Polarizer (Haze 10%)	Hard Coating (3H), Anti-glare Treatment of the Front Polarizer (Haze 10%)
Guaranteed Operation Hours	24 Hrs	24 Hrs	24 Hrs
Orientation	Portrait & Landscape	Portrait & Landscape	Portrait & Landscape
CONNECTIVITY	Input: HDMI (2), DP, DVI-D, Audio In, OPS, USB 3.0 Output: DP, External Speaker Out External Control: RS232C In/out, RJ45 In, IR/Light Sensor In, Pixel Sensor In		
BEZEL	Black	Black	Black
BEZEL WIDTH	7.4 mm (T/L/R/B Even)	7.4 mm (T/L/R/B Even)	7.4 mm (T/L/R/B Even)
MONITOR DIMENSION (W x H x D)	1,230 x 714 x 32 mm	1,095 x 637 x 32 mm	949 x 555 x 32 mm
WEIGHT (Head)	20.7 kg	15.6 kg	12.5kg
MONITOR WITH OPTIONAL STAND DIMENSIONS (W x H x D)	1,230 x 776 x 298 mm	1,095 x 700 x 298 mm	949 x 618 x 298 mm
WEIGHT (Head+Stand)	22.1 kg	17.0 kg	13.9 kg
CARTON DIMENSIONS (W x H x D)	1,330 x 815 x 174 mm	1,197 x 760 x 134 mm	1,045 x 645 x 127 mm
PACKED WEIGHT	25.2 kg	18.7 kg	14.8 kg
VESA™ STANDARD MOUNT INTERFACE	400 x 400 mm	400 x 400 mm	400 x 400 mm
SPECIAL FEATURES	Temperature Sensor, Auto Brightness Sensor, Tile Mode (up to 15x15), Wake on LAN, DPM Select, DPM Wake Up, Energy Saving, Smart Energy Saving, File Play with USB, PIP/PBP (2), Internal Memory 16GB (System 4GB + Available 12GB), Wi-Fi Dongle Ready (802.11n), USB Cloning, Fail Over		
ENVIRONMENTAL CONDITIONS	Operating Temperature: 0°C to 40°C Operating Humidity: 10% to 80%	Operating Temperature: 0°C to 40°C Operating Humidity: 10% to 80%	Operating Temperature: 0°C to 40°C Operating Humidity: 10% to 80%
POWER	Power Supply: 100-240V~, 50/60Hz Power Type: Built-In Power Power Typ.: 140 W Consumption Smart Energy Saving: 100 W	Power Supply: 100-240V~, 50/60Hz Power Type: Built-In Power Power Typ.: 125 W Consumption: 90 W	Power Supply: 100-240V~, 50/60Hz Power Type: Built-In Power Power Typ.: 110 W Consumption: 80 W
STANDARD (CERTIFICATION)	Safety: UL / cUL / CB / TUV / KC EMC: FCC Class "A" / CE / KCC ErP / Energy Star: NA / No	Safety: UL / cUL / CB / TUV / KC EMC: FCC Class "A" / CE / KCC ErP / Energy Star: NA / No	Safety: UL / cUL / CB / TUV / KC EMC: FCC Class "A" / CE / KCC ErP / Energy Star: NA / No
MEDIA PLAYER COMPATIBILITY	OPS Type Compatible: Yes External Media Player Attachable: Yes (MP500 / MP700)	OPS Type Compatible: Yes External Media Player Attachable: Yes (MP500 / MP700)	OPS Type Compatible: Yes External Media Player Attachable: Yes (MP500 / MP700)
SOFTWARE COMPATIBILITY	Content Management Software: SuperSign Premium Control and Monitoring Software: SuperSign C	Content Management Software: SuperSign Premium Control and Monitoring Software: SuperSign C	Content Management Software: SuperSign Premium Control and Monitoring Software: SuperSign C
ACCESSORIES	Basic: Remote Controller (2ea batteries included), Power Cord, IR / Light Sensor Receiver, QSG, Regular Book, HDMI cable Optional: External Speaker (SP-2100), ST-200T, LSW440S, Wi-Fi USB Dongle (AN-WF500), OPS Kits (KT-OPSA), Pixel Sensor (KT-SP0)	Basic: Remote Controller (2ea batteries included), Power Cord, IR / Light Sensor Receiver, QSG, Regular Book, HDMI cable Optional: External Speaker (SP-2100), ST-200T, LSW440S, Wi-Fi USB Dongle (AN-WF500), OPS Kits (KT-OPSA), Pixel Sensor (KT-SP0)	Basic: Remote Controller (2ea batteries included), Power Cord, IR / Light Sensor Receiver, QSG, Regular Book, HDMI cable Optional: External Speaker (SP-2100), ST-200T, LSW440S, Wi-Fi USB Dongle (AN-WF500), OPS Kits (KT-OPSA), Pixel Sensor (KT-SP0)

## Connectivity

- 1 SPEAKER OUT
- 2 AUDIO IN
- 3 LAN
- 4 PIXEL SENSOR
- 5 HDMI
- 6 IR & LIGHT SENSOR
- 7 DP IN
- 8 DP OUT
- 9 DVI-D IN
- 10 USB 3.0
- 11 RS232C IN
- 12 RS232C OUT

### 55LS75C, 49LS75C, 42LS75C



Download LG Commercial Display Mobile App



Learn more [www.lg.com/b2b](http://www.lg.com/b2b)

YouTube [youtube.com/c/LGCommercialDisplay](https://www.youtube.com/c/LGCommercialDisplay)

LG may make changes to specifications and product descriptions without notice. Copyright © 2017 LG Electronics Inc. All rights reserved. "LG Life's Good" is a registered trademark of LG Corp. The names of products and brands mentioned here may be the trademarks of their respective owners.



## Smart Platform with a Powerful Embedded System-on-Chip Standard Premium LS75C Series



The LS75C Series, webOS signage, allows for customized apps that are easy to create using LG's Software Development Kit. The high-performance SoC reduces the total cost of ownership and simplify installation, allowing you to manage content more conveniently. The LS75C series strengthens capability in supporting various network-based protocols.

## Key Features

### Smart Platform



### Quad Core SoC\*

The high-performance SoC can execute several tasks at the same time and provides smooth content playback.



\*System-on-Chip

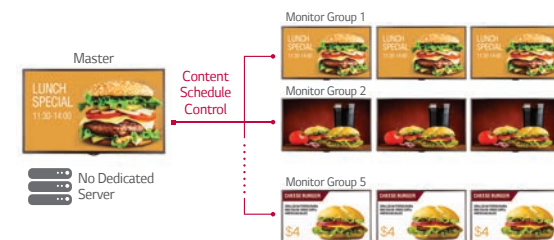
### webOS 3.0

The webOS 3.0 platform provides powerful and convenient creation tools, including app development materials.



### Group Manager

Content can be created, distributed and controlled by a signage without a dedicated PC or server.



### PBP (Picture-By-Picture) / PIP (Picture-In-Picture)

PBP (Picture-By-Picture) and PIP (Picture-In-Picture) features enable you to compose various layouts for several digital devices.



# Smart Platform with a Powerful Embedded System-on-Chip

## Standard Premium LS75C Series



### Screen Sizes

55", 49", 42"

### LS75C Series

- Brightness: 700 cd/m<sup>2</sup>
- Bezel: 7.4 mm Even Bezel
- Depth: 32 mm
- Interface: HDMI (2), DVI-D, DP, RGB, RJ45, IR / Light Sensor, RS232C, Pixel Sensor, USB 3.0, Audio

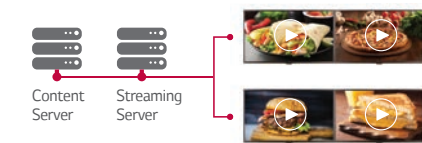


## Key Features

### Support Network Protocol

#### IP Streaming Protocol

Various types of IP video streaming protocol are supported, such as RTSP/RTP, MMS, HLS and MPEG-2 TS\*.



\*RTSP (Real-Time Streaming Protocol), RTP (Real-time Transport Protocol), MMS (Microsoft Media Server), HLS (http live streaming)

#### Secure Communication Protocol

By supporting HTTPS\* protocol, communication between server and signage is more secure.



\*HTTPS: Hypertext Transfer Protocol over Secure Socket Layer

#### Proxy Server

Web access speed and security can be improved by supporting Proxy Server (A server that acts as an intermediary for requests from clients seeking resources from other servers.)



### Wireless Solution

#### Mirroring

Content sharing is more convenient on a Wi-Fi network.



#### SoftAP

The LS75C with SoftAP software can operate as a wireless access point for mobile devices.



#### Simple Installation

Installation has been simplified by removing the external media player and Ethernet/RS232C cables.



Wi-Fi (removing Ethernet or RS232C cables) 802.11n (2.4 GHz / 5 GHz)

### Supportive Convenience

#### BEACON

With BEACON and Bluetooth Low Energy (BLE) supported by LS75C\*, retail stores can provide coupons and information in real time. When Wi-Fi dongle is connected, the BEACON is available.

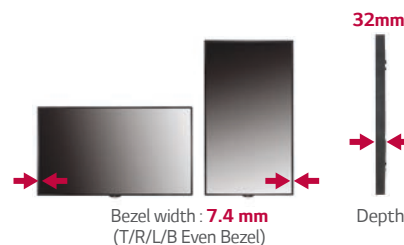


\* LS75C is enhanced to support iBeacon\*\* and Eddystone\*\*\*  
\*\* iBeacon: Bluetooth Low Energy beacon profile released by Apple in 2013  
\*\*\* Eddystone: Bluetooth Low Energy beacon profile released by Google in 2015

### Industrial Design

#### Slimmer Even Bezel & Depth

The thinner bezel & depth allows a perfect fit for a sleek look.



#### Detachable Logo

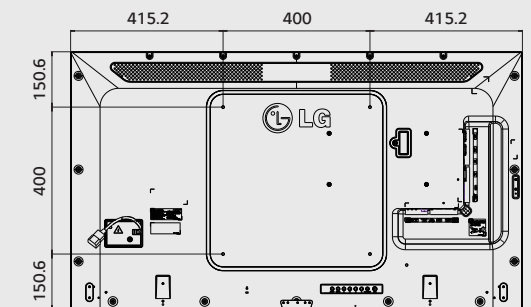
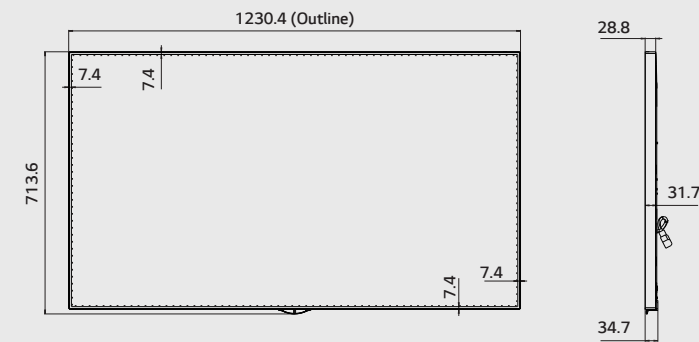
Portrait mode allows the logo to be positioned in the desired setting.



### Dimensions (unit: mm)

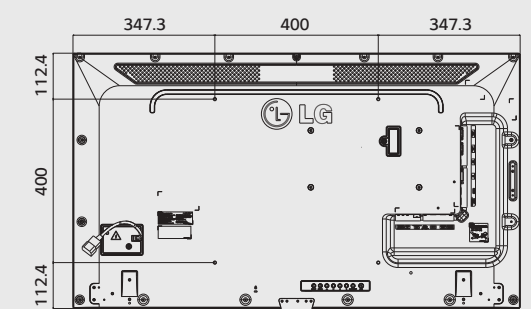
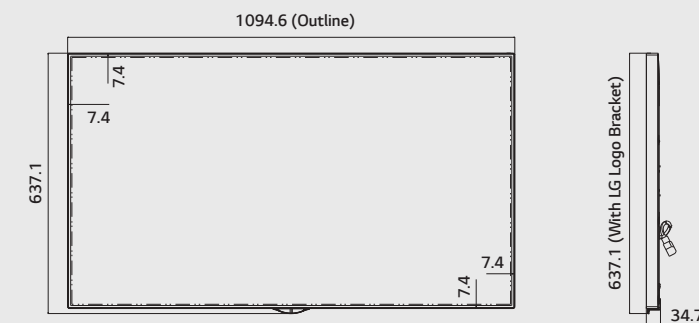
#### 55"

1,230 x 714 x 32 / 20.7 kg



#### 49"

1,095 x 637 x 32 / 15.6 kg



#### 42"

949 x 555 x 32 / 12.5 kg

