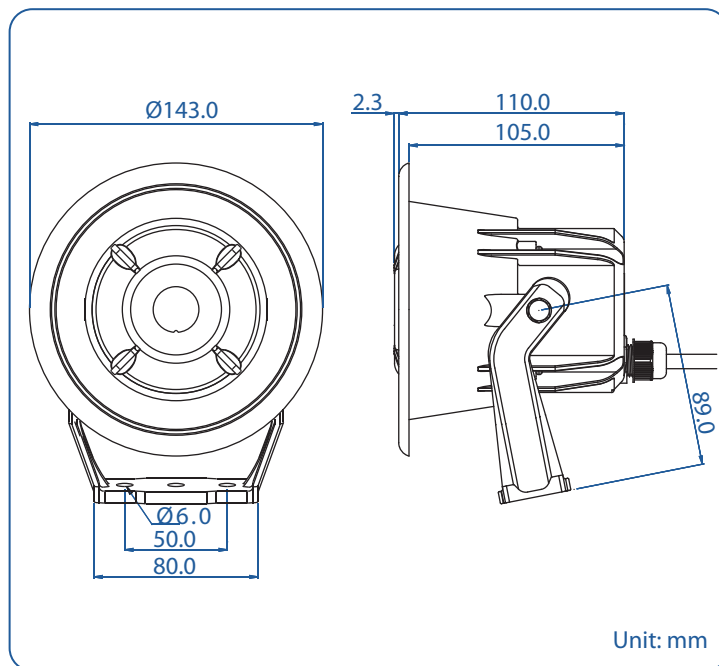




# MID-5 Series Marine Horn Loudspeaker

Public Address



- 100 Hours Life Tested
- CE Certified (EMC & LVD)
- IP Rated
- Rustproof
- UL94V0
- BS 5839 Part 8
- EASE Data
- RoHS Compliance
- UV Stable
- Withstanding/Insulation Tested

- Ingress protected to IEC 529 IP 67
- Rustproof stainless steel exterior hardware
- UV stable
- Very high efficiency
- Bracket or recessed mounted for ceiling or wall
- Finished in grey

Model No.	MID-5061	MID-5121
Rated Power (rms)	6W	12W
Impedance	1.67kΩ, 3.33kΩ, 6.67kΩ & 8Ω	833Ω, 1.67kΩ, 3.33kΩ, 6.67kΩ & 8Ω
Power Taps @ 100V	6W, 3W, 1.5W & 8Ω	12W, 6W, 3W, 1.5W & 8Ω
Power Taps @ 70V	3W, 1.5W, 0.75W & 8Ω	6W, 3W, 1.5W, 0.75W & 8Ω
SPL (1W / 1m)	98dB	
Max. SPL (Rated W / 1m)	106dB	109dB
Frequency Range (-10dB)	570 Hz ~ 4.8k Hz	
Frequency Range (-20dB)	510 Hz ~ 12k Hz	
Dispersion 1k Hz / 4k Hz	185° / 45°	
Operating Temperature	-30°C ~ +70°C	
Ingress Protection	IEC 529 IP 67	
Power Selection	5-core cable	6-core cable
Material	Housing: High impact ABS with UV stable	
Colour / Finish	Grey	
Dimensions	143.0 (5.63) Dia. X 110.0 (4.33) Length mm. (in.)	
Cutout Size	110.0 (4.33) Dia mm. (in.)	
Net Weight (ea)	1.00 kg (2.20 lb.)	
Mounting	U Type bracket or screws	

■ **Rated Power according to IEC 60268- 5 100 hours Power Handling Capacity standard**