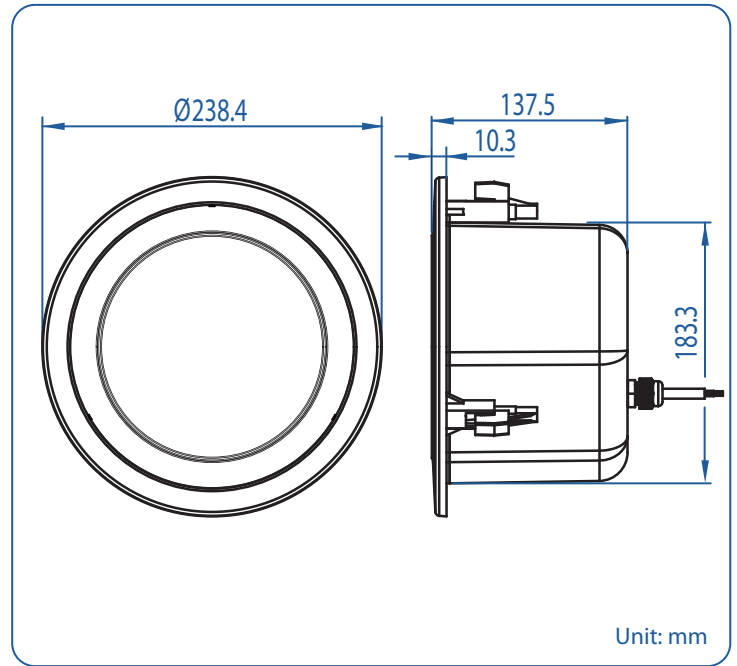




SCP-6121

IP Rated "Splashproof" Ceiling Loudspeaker



- 100 Hours Life Tested
- CE Certified (EMC & LVD)
- IP Rated
- Rustproof
- UL94V0
- BS 5839 Part 8
- EASE Data
- RoHS Compliance
- UV Stable
- Withstanding/Insulation Tested

- Ingress protected to IEC 529 IP 55
- Rotating mount tabs for easy installation
- Also suitable for food processing plants or applications where significant moisture is present such as bathroom or steam sauna rooms
- Suitable for non-shedding, "clean-room" environments
- Sealed ABS rear enclosure with glanded cable tail
- 6" full range polypropylene driver unit
- Finished in white

| Model No. | SCP-6121 |
|--------------------------|---|
| Rated Power (rms) | 12W |
| Impedance | 833Ω, 1.11kΩ, 1.67kΩ, 3.33kΩ, 10kΩ & 8Ω |
| Power Taps @ 100V | 12W, 9W, 6W, 3W, 1W & 8Ω |
| Power Taps @ 70V | 6W, 4.5W, 3W, 1.5W, 0.5W & 8Ω |
| SPL (1W / 1m) | 92dB |
| Max. SPL (Rated W / 1m) | 100dB |
| Frequency Range (-10dB) | 150Hz ~ 20k Hz |
| Dispersion 1k Hz / 4k Hz | 220° / 65° |
| Operating Temperature | -30°C ~ +60°C |
| Ingress Protection | IEC 529 IP 55 |
| Power Selection | 7-core cable |
| Material | Baffle: ABS, Grille: Aluminium, Enclosure: ABS |
| Colour / Finish | White |
| Dimensions | 238.4 (9.39) Dia. X 137.5 (5.41) Length mm. (in.) |
| Cutout Size | 210.0 (8.26) Dai. mm. (in.) |
| Net Weight (ea) | 2.00 kg (4.44 lb.) |
| Mounting | Rotating mount tabs |

■ **Rated Power according to IEC 60268- 5 100 hours Power Handling Capacity standard**