

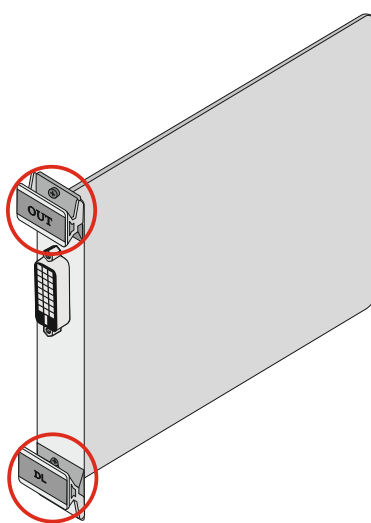
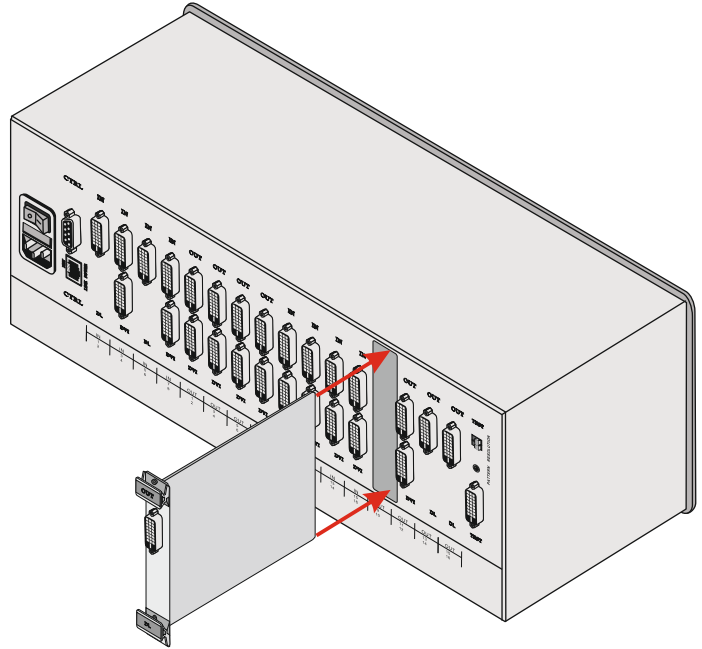
## VS-1616D DVI Dual Link I/O Card Installation Sheet

The VS-1616D I/O Card mounts in one of the 16 slots on the rear of the VS-1616D chassis. Slots are numbered from left to right and must be filled consecutively from left to right, **without leaving empty slots**.

**WARNING:** An input card must only be mounted in a slot designated for input cards (slots 1 to 4 and 9 to 12) and an output card must only be mounted in a slot designated for output cards (slots 5 to 8 and 13 to 16).

To install an I/O card:

1. Power off the VS-1616D and all devices connected to it.
2. Using a Phillips screwdriver, loosen the screws at the top and bottom of the blanking plate.
3. Remove the blanking plate from the slot and store it for possible future use.
4. Remove the new card from its shipping box and anti-ESD bag.



5. Holding the card by the upper and lower handle, align the card with the plastic guide rails.
6. Slide the card into the chassis until the front of the card makes contact with the connector inside the chassis.
7. Press the card firmly into the slot until the connector plate is flush with the rear panel of the chassis and the connector is fully seated.
8. Using a Phillips screwdriver, tighten the retaining screws at the top and bottom of the card to secure it to the chassis.
9. Power on the VS-1616D and follow the procedure in the VS-1616D User Manual (see Section 9) to configure the new card.
10. Power on the peripheral devices.

