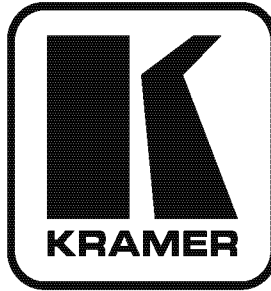


**Kramer Electronics, Ltd.**



# **USER MANUAL**

**Model:**

**VS-81SP**

*8 x 1 Loudspeaker Switcher*

## Contents

<b>1</b>	<b>Introduction</b>	<b>1</b>
<b>2</b>	<b>Getting Started</b>	<b>1</b>
2.1	Quick Start	2
<b>3</b>	<b>Overview</b>	<b>3</b>
<b>4</b>	<b>Your VS-81SP 8 x 1 Loudspeaker Switcher</b>	<b>3</b>
<b>5</b>	<b>Installing the VS-81SP in a Rack</b>	<b>6</b>
<b>6</b>	<b>Connecting the VS-81SP 8 x 1 Loudspeaker Switcher</b>	<b>7</b>
6.1	Connecting via RS-232	9
6.2	Connecting via RS-485	9
6.3	DIP-switch Settings	10
6.3.1	Setting the MACHINE #	11
6.3.2	Setting the MACHINE ADDRESS #	13
6.4	Connecting the REMOTE Terminal Block Connector	15
<b>7</b>	<b>Operating the VS-81SP 8 x 1 Loudspeaker Switcher</b>	<b>17</b>
7.1	Using the Front Panel Buttons	17
7.2	Using Serial Commands	17
7.3	Operating via the Infrared Remote Controller	17
<b>8</b>	<b>Technical Specifications</b>	<b>18</b>
<b>9</b>	<b>Upgrading the VS-81SP Firmware</b>	<b>18</b>
9.1	Downloading from the Internet	18
9.2	Connecting a PC to the RS-232 Port	19
9.3	Installing the Firmware	19
<b>10</b>	<b>Hex Table</b>	<b>25</b>
<b>11</b>	<b>Kramer Protocol 2000</b>	<b>25</b>

## Figures

Figure 1: VS-81SP 8 x 1 Loudspeaker Switcher Functions	4
Figure 2: Connecting the VS-81SP – 1 Amplifier to 8 Speaker Pairs	8
Figure 3: Connecting the VS-81SP – 8 Amplifiers to 1 Speaker Pair	8
Figure 4: Connecting a PC Without Using a Null-modem Adapter	9
Figure 5: Controlling via RS-485	10
Figure 6: SETUP DIP-switches (Factory Default for Stand-Alone MACHINE # 1)	10
Figure 7: DIP-switch Settings on 4 VP-81SP Units	12
Figure 8: Cascading 3 VP-81SP Units	14
Figure 9: Addressing 3 Cascaded VP-81SP Units	14
Figure 10: Connecting a Remote Mechanical Switcher Unit to the VP-81SP	15
Figure 11: Connecting a Remote Unit to a Cascaded Set of Three VP-81SP Units	16
Figure 12: Splash Screen	20
Figure 13: Atmel – Flip Window	20
Figure 14: Device Selection Window	21
Figure 15: Device Selection Window	21
Figure 16: Loading the Hex	22
Figure 17: RS-232 Window	22
Figure 18: Atmel – Flip Window (Connected)	23
Figure 19: Atmel – Flip Window (Operation Completed)	24

## Tables

Table 1: VS-81SP 8 x 1 Loudspeaker Switcher Functions	5
Table 2: DIP-switch Definitions	11
Table 3: MACHINE # DIP-switch Settings	11
Table 4: MACHINE ADDRESS # DIP-switch Settings	13
Table 5: VS-81SP Technical Specifications	18
Table 6: VS-81SP Hex Table	25
Table 7: Protocol Definitions	25
Table 8: Instruction Codes for Protocol 2000	26

## 1 Introduction

Welcome to Kramer Electronics! Since 1981, Kramer Electronics has been providing a world of unique, creative, and affordable solutions to the vast range of problems that confront the video, audio, presentation, and broadcasting professional on a daily basis. In recent years, we have redesigned and upgraded most of our line, making the best even better! Our 1,000-plus different models now appear in 11 groups<sup>1</sup> that are clearly defined by function.

Thank you for purchasing the Kramer **VS-81SP 8 x 1 Loudspeaker Switcher**, which is ideal for:

- Hi-fi retail stores
- Public address systems
- Home entertainment

Each package includes the following items:

- The **VS-81SP 8 x 1 Loudspeaker Switcher**
- Null-modem adapter, a power cord<sup>2</sup> and an infrared remote control transmitter (including the required battery and a separate user manual)
- Windows<sup>®</sup>-based Kramer control software
- This user manual<sup>3</sup>

## 2 Getting Started

We recommend that you:

- Unpack the equipment carefully and save the original box and packaging materials for possible future shipment
- Review the contents of this user manual
- Use Kramer high-performance high-resolution cables<sup>4</sup>

---

1 GROUP 1: Distribution Amplifiers; GROUP 2: Switchers and Matrix Switchers; GROUP 3: Control Systems; GROUP 4: Format/Standards Converters; GROUP 5: Range Extenders and Repeaters; GROUP 6: Specialty AV Products; GROUP 7: Scan Converters and Sealers; GROUP 8: Cables and Connectors; GROUP 9: Room Connectivity; GROUP 10: Accessories and Rack Adapters; GROUP 11: Sierra Products

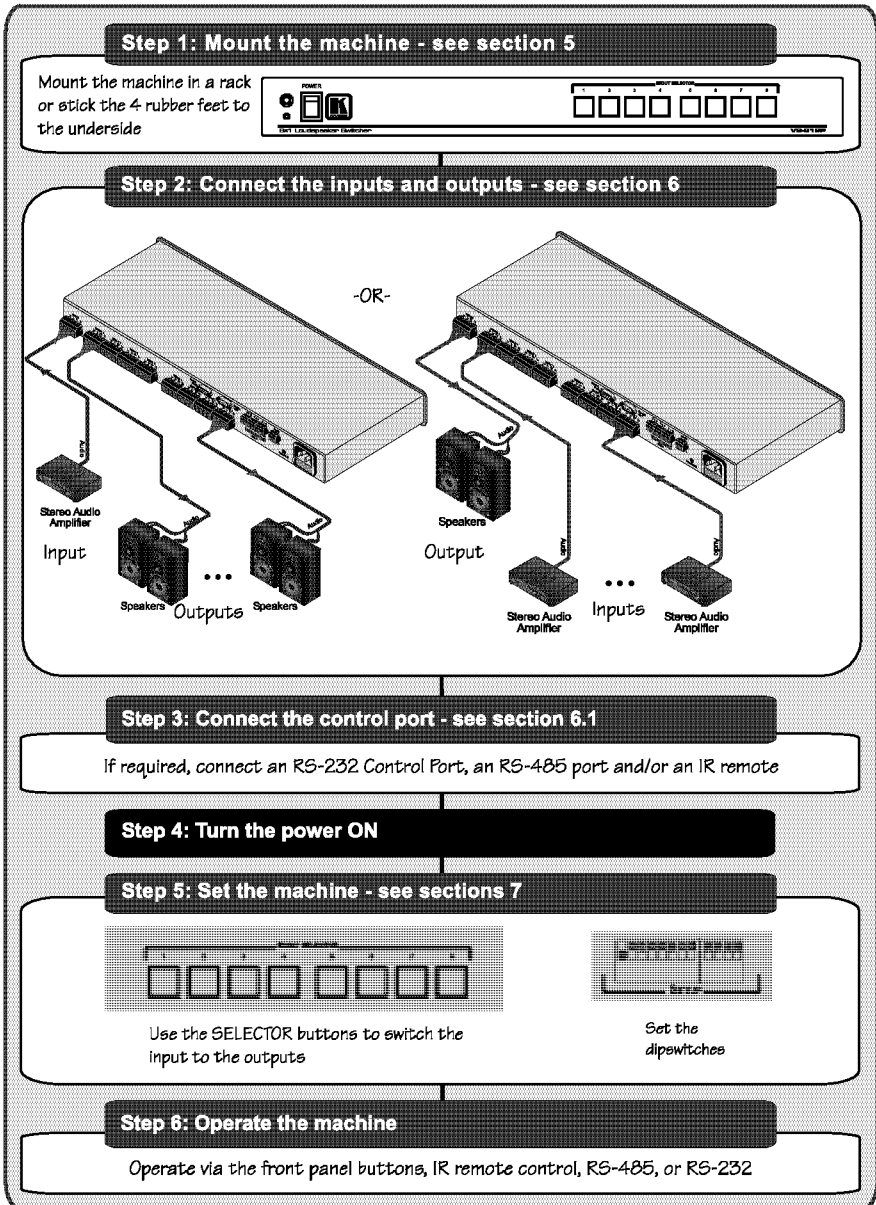
2 We recommend that you use only the power cord supplied with this device

3 Download up-to-date Kramer user manuals from our Web site at <http://www.kramerelectronics.com>

4 The complete list of Kramer cables is on our Web site at <http://www.kramerelectronics.com>

## 2.1 Quick Start

This quick start chart summarizes the basic setup and operation steps.



### 3 Overview

The **VS-81SP** is a bi-directional switcher for stereo audio speaker signals on terminal block connectors. It can switch any one of eight pairs of input signals to one output pair or one input pair to any one of eight output pairs.

The **VS-81SP** has the following features:

- 8 x 1 input/output stereo connections with bi-directional functionality
- The ability to cascade up to seven units to increase the number of inputs or outputs
- The ability to handle both high-impedance (100/70V) and low-impedance (8/4 $\Omega$ ) signals
- Control from the front panel, or via RS-232/RS-485 serial commands transmitted by a touch screen system, PC, or other serial control device, as well as via an infrared remote controller, or via remote contact-closure switches

To achieve the best performance:

- Use only good quality connection cables<sup>1</sup> to avoid interference, deterioration in signal quality due to poor matching, and elevated noise levels (often associated with low quality cables).
- Avoid interference from neighboring electrical appliances that may adversely influence signal quality and position your Kramer **VS-81SP** away from moisture, excessive sunlight and dust



**Caution** – No operator-serviceable parts inside unit.

**Warning** – Use only the Kramer Electronics input power wall adapter that is provided with this unit<sup>2</sup>.

**Warning** – Disconnect power and unplug unit from wall before installing or removing device or servicing unit.

### 4 Your VS-81SP 8 x 1 Loudspeaker Switcher

Figure 1 and Table 1 define the unit.

<sup>1</sup> Available from Kramer Electronics on our Web site at <http://www.kramerelectronics.com>

<sup>2</sup> For example, part number 2535-000251

Your VS-81SP 8 x 1 Loudspeaker Switcher

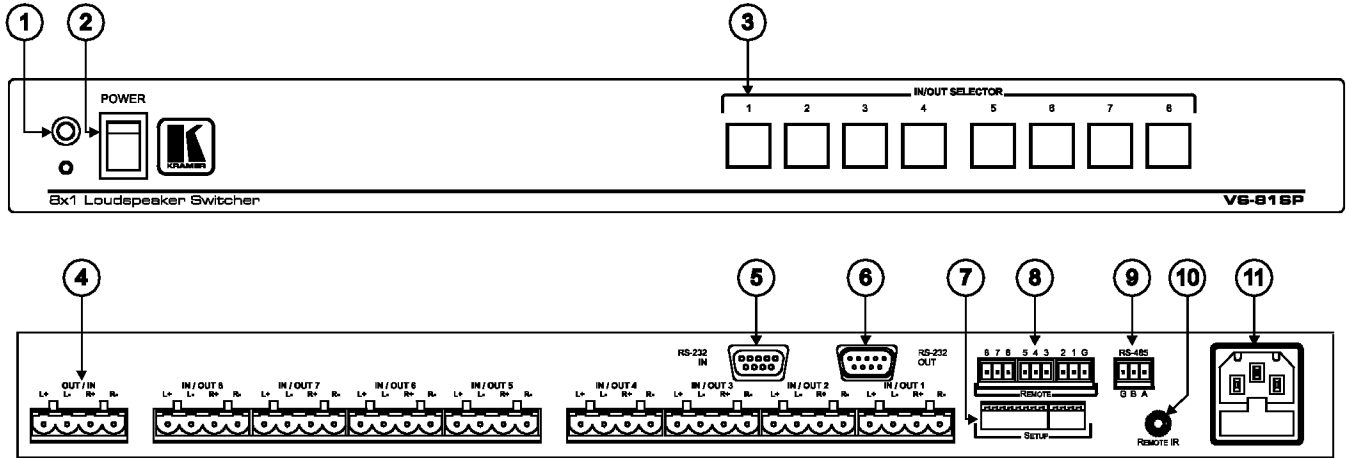


Figure 1: VS-81SP 8 x 1 Loudspeaker Switcher Functions

Table 1: VS-81SP 8 x 1 Loudspeaker Switcher Functions

#	Feature	Function
1	IR Receiver	The red LED illuminates when receiving signals from the infrared remote control transmitter
2	POWER Switch	Illuminated switch for turning the unit ON and OFF
3	IN/OUT SELECTOR Buttons	Select which output (from 1 to 8) to switch from the input
4	OUT/IN Terminal Block Connectors	Connects to the input source(s) and the output speaker pair(s) (from 1 to 8)
5	RS-232 IN 9-pin D-sub (F) Port	Connects to the PC or RS-232 remote controller
6	RS-232 OUT 9-pin D-sub (M) Port	Connects to the RS-232 IN 9-pin D-sub (F) port of the next unit in the daisy-chain
7	SETUP DIP-switches	DIP-switches for setting up the unit (1 to 8 are for setting addresses, 9 to 11 for software download, and 12 is for RS-485 termination)
8	REMOTE Terminal Block Connectors	Connect to the remote contact-closure switches
9	RS-485 Terminal Block Port	Pins B (-) and A (+) are for RS-485, pin G may be connected to the shield (if required)
10	REMOTE IR Opening	Connects to an external IR receiver unit for controlling the machine via an IR remote controller (instead of using the front panel IR receiver) <sup>1</sup>
11	Power Connector with Fuse	AC connector enabling power supply to the unit

1 Optional. Can be used instead of the front panel (built-in) IR receiver to remotely control the machine (only if the internal IR connection cable has been installed)



## 5 Installing the VS-81SP in a Rack

This section describes how to install the **VS-81SP** in a rack.

### Before Installing in a rack

Before installing in a rack, be sure that the environment is within the recommended range:	
Operating temperature range	+5° to +45° C (41° to 113° F)
Operating humidity range	10 to 90% RHL, non-condensing
Storage temperature range	-20° to +70° C (-4° to 158° F)
Storage humidity range	5 to 95% RHL, non-condensing



### CAUTION!!

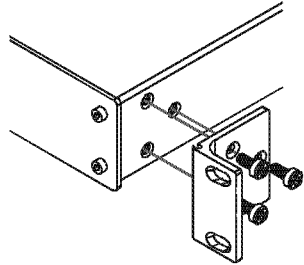
When installing on a 19" rack, avoid hazards by taking care that:

1. It is located within the recommended environmental conditions, as the operating ambient temperature of a closed or multi unit rack assembly may exceed the room ambient temperature.
2. Once rack mounted, enough air will still flow around the machine.
3. The machine is placed straight in the correct horizontal position.
4. You do not overload the circuit(s). When connecting the machine to the supply circuit, overloading the circuits might have a detrimental effect on overcurrent protection and supply wiring. Refer to the appropriate nameplate ratings for information. For example, for fuse replacement, see the value printed on the product label.
5. The machine is earthed (grounded) in a reliable way and is connected only to an electricity socket with grounding. Pay particular attention to situations where electricity is supplied indirectly (when the power cord is not plugged directly into the socket in the wall), for example, when using an extension cable or a power strip, and that you use only the power cord that is supplied with the machine.

### How to Rack Mount

To rack-mount a machine:

1. Attach both ear brackets to the machine. To do so, remove the screws from each side of the machine (3 on each side), and replace those screws through the ear brackets.



2. Place the ears of the machine against the rack rails, and insert the proper screws (not provided) through each of the four holes in the rack ears.

Note that:

- In some models, the front panel may feature built-in rack ears
- Detachable rack ears can be removed for desktop use
- Always mount the machine in the rack before you attach any cables or connect the machine to the power
- If you are using a Kramer rack adapter kit (for a machine that is not 19"), see the Rack Adapters user manual for installation instructions (you can download it at: <http://www.kramerelectronics.com>)

## 6 Connecting the VS-81SP 8 x 1 Loudspeaker Switcher

To connect the **VS-81SP**, as shown in [Figure 2](#), do the following<sup>1</sup>:

1. Connect the input source (for example, the speaker outputs from a power amplifier) to the OUT/IN terminal block connectors.
2. Connect the IN/OUT connectors to the speaker pairs (up to eight).
3. As an option you can connect a PC and/or controller to the:
  - RS-232 port (see section [6.1](#))
  - RS-485 port (see section [6.2](#))
4. Set the DIP-switches (see section [6.3](#)).
5. If required, connect remote contact-closure switches to the REMOTE terminal block connector (see section [6.4](#)).
6. Connect the power cord to the power socket and connect the power cord to the mains electricity.

**Note:** In a reverse configuration (see [Figure 3](#)), you can connect up to eight power amplifiers to the IN/OUT input connectors and one speaker pair to the OUT/IN output connector.

---

<sup>1</sup> Switch OFF the power on each device before connecting it to your **VS-81SP**. After connecting your **VS-81SP**, switch on its power and then switch on the power on each device

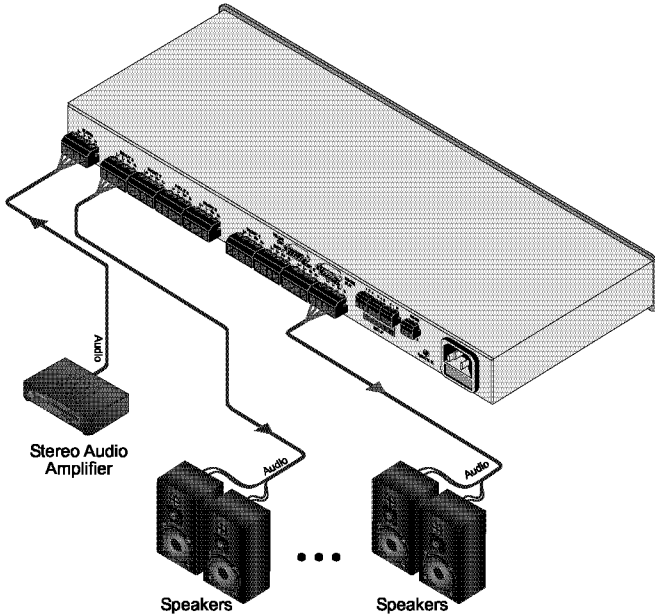


Figure 2: Connecting the VS-81SP – 1 Amplifier to 8 Speaker Pairs

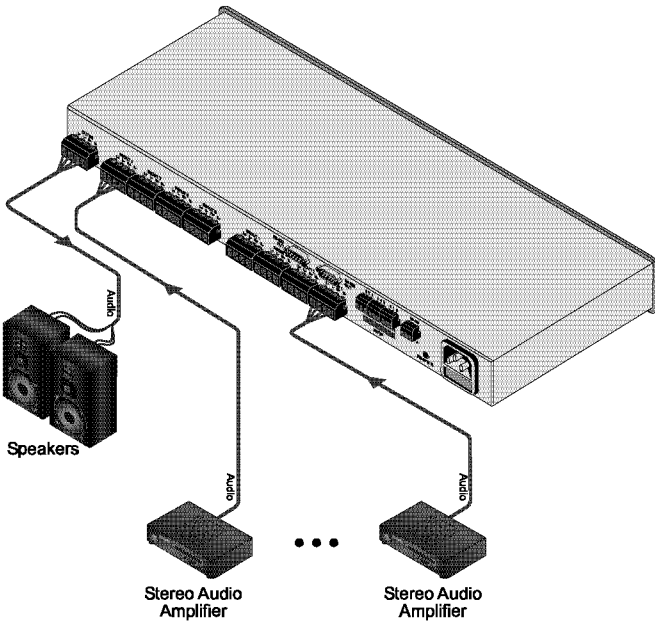


Figure 3: Connecting the VS-81SP – 8 Amplifiers to 1 Speaker Pair

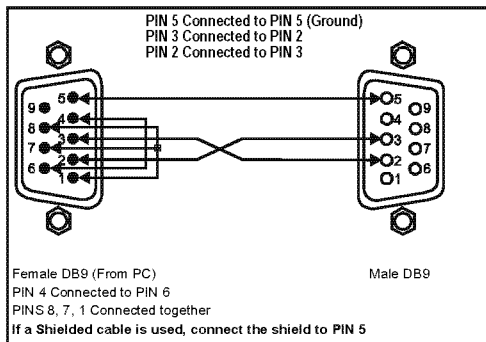
## 6.1 Connecting via RS-232

To connect a PC to the **VS-81SP**, using the null-modem adapter provided with the machine (recommended):

- Connect the RS-232 IN 9-pin D-sub rear panel port on the **VS-81SP** to the null-modem adapter and connect the null-modem adapter with a 9-wire flat cable to the RS-232 9-pin D-sub port on your PC

To connect a PC to the **VS-81SP**, without using a null-modem adapter:

- Connect the RS-232 IN 9-pin D-sub port on your PC to the RS-232 9-pin D-sub rear panel port on the **VS-81SP**, as [Figure 4](#) illustrates



*Figure 4: Connecting a PC Without Using a Null-modem Adapter*

## 6.2 Connecting via RS-485

You can control the **VS-81SP** via any RS-485 remote controller or a PC (equipped with an RS-485 interface).

To connect an RS-485 remote controller to two **VS-81SP** units (see [Figure 5](#)):

1. Connect the RS-485 port on the RS-485 remote controller to the RS-485 ports on the **VS-81SP**, as follows:
  - Connect the “A” (+) PIN on the RS-485 remote controller to the “+” (A) PINs on the RS-485 ports of the **VS-81SP** units
  - Connect the “B” (-) PIN on the RS-485 remote controller to the “B” (-) PINs on the RS-485 ports of the **VS-81SP** units
  - If shielded twisted pair cable is used, the shield may be connected to the “G” (Ground) PIN on one of the units (for example, on the RS-485 remote controller)

2. Set the SETUP DIP-switches on the **VS-81SP** units as follows (see section 6.3):
  - Set the first **VS-81SP** unit to MACHINE # 1<sup>1</sup>
  - Set the second **VS-81SP** unit to MACHINE # 2<sup>1</sup> and set DIP 12 to ON, terminating the RS-485 line<sup>2</sup>

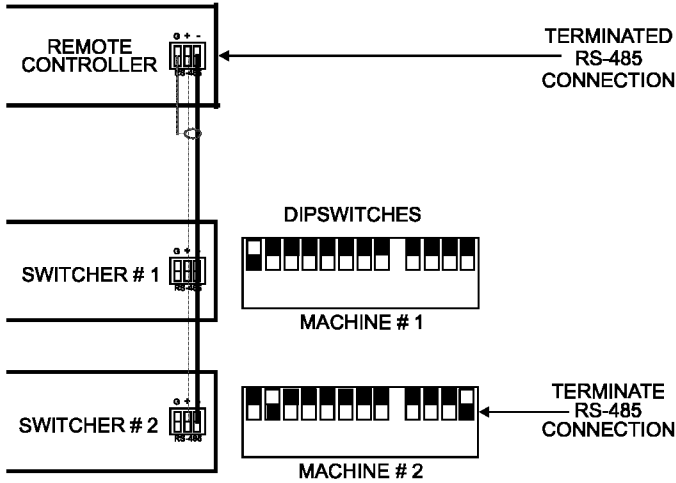


Figure 5: Controlling via RS-485

### 6.3 DIP-switch Settings

Configure the **VS-81SP** by setting the 12 SETUP DIP-switches (item 7 on the rear panel), as [Figure 6](#) and [Table 2](#) define:

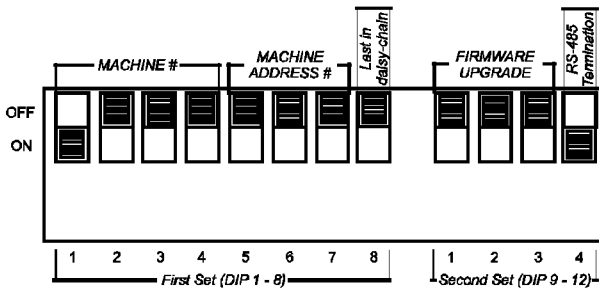


Figure 6: SETUP DIP-switches (Factory Default for Stand-Alone MACHINE # 1)

<sup>1</sup> See [Table 3](#)

<sup>2</sup> The RS-485 line must also be terminated at the remote controller. Refer to the remote controller's user manual for details of how to terminate the RS-485 line on the remote controller

Table 2: DIP-switch Definitions

DIP	Function:
1-4	Set the MACHINE # (see section 6.3.1)
5-7	MACHINE ADDRESS # in daisy chain connection (see section 6.3.2)
8	Last cascaded device
9-11 (marked 1-3 on second set)	Firmware upgrade (see section 9)
12 (marked 4 on second set)	RS-485 termination (see section 6.2)

### 6.3.1 Setting the MACHINE #

To control a unit via RS-232 or RS-485, each unit has to be identified by its unique MACHINE #. Set the MACHINE # on a **VS-81SP** unit according to [Table 3](#). A valid MACHINE # is from 1 to 15. For a single, stand-alone machine, set as MACHINE # 1.

Table 3: MACHINE # DIP-switch Settings

MACHINE #	DIP 1	DIP 2	DIP 3	DIP 4
1	ON	OFF	OFF	OFF
2	OFF	ON	OFF	OFF
3	ON	ON	OFF	OFF
4	OFF	OFF	ON	OFF
5	ON	OFF	ON	OFF
6	OFF	ON	ON	OFF
7	ON	ON	ON	OFF
8	OFF	OFF	OFF	ON
9	ON	OFF	OFF	ON
10	OFF	ON	OFF	ON
11	ON	ON	OFF	ON
12	OFF	OFF	ON	ON
13	ON	OFF	ON	ON
14	OFF	ON	ON	ON
15	ON	ON	ON	ON

[Figure 7](#) illustrates how to set the DIP-switches on four single **VS-81SP** units, which are controlled by one RS-232 port:

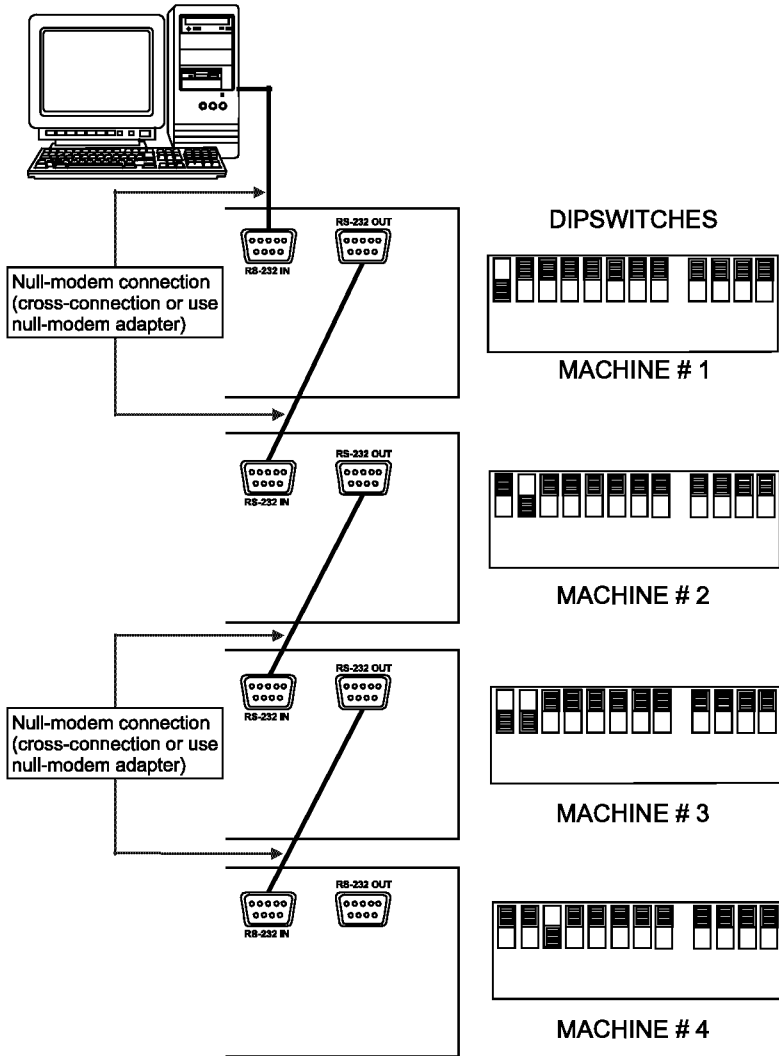


Figure 7: DIP-switch Settings on 4 VP-81SP Units

### 6.3.2 Setting the MACHINE ADDRESS #

For certain applications, you may need more than 8 outputs<sup>1</sup>. Cascading the outputs enables you to expand the number of outputs by looping up to seven units to form a combined speaker switcher with up to 50 speaker pair outputs.

*Table 4: MACHINE ADDRESS # DIP-switch Settings*

MACHINE #	DIP 1	DIP 2	DIP 3	DIP 4
1	ON	OFF	OFF	OFF
2	OFF	ON	OFF	OFF
3	ON	ON	OFF	OFF
4	OFF	OFF	ON	OFF
5	ON	OFF	ON	OFF
6	OFF	ON	ON	OFF
7	ON	ON	ON	ON

To cascade up to seven identical units:

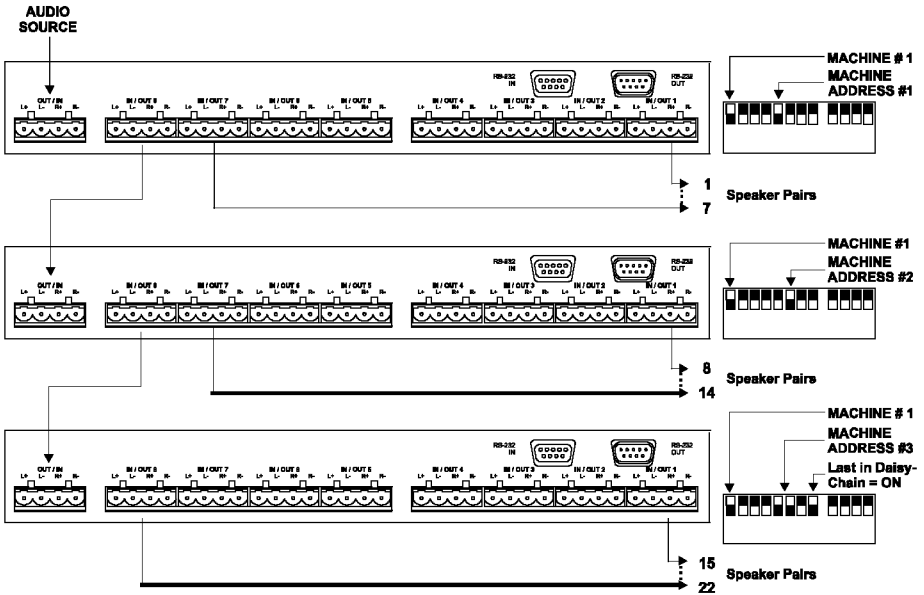
- Set the same MACHINE # on each unit, according to [Table 3](#)
- Set the MACHINE ADDRESS # and the eighth DIP-switch (last in daisy-chain) on each unit that is included in a set, according to [Table 4](#)

[Figure 8](#) and [Figure 9](#) give an example of how to setup and address a cascade of three **VP-81SP** units that output to 22 speaker pairs.

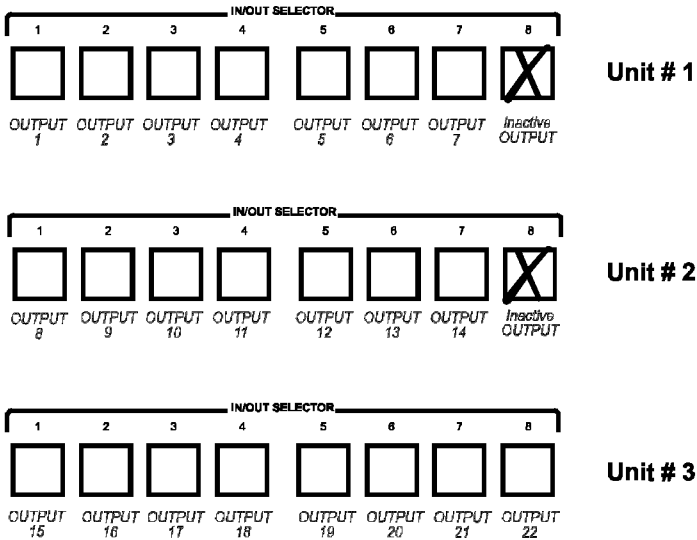
<sup>1</sup> You can also use this procedure for cascading inputs as well as outputs



## Connecting the VS-81SP 8 x 1 Loudspeaker Switcher



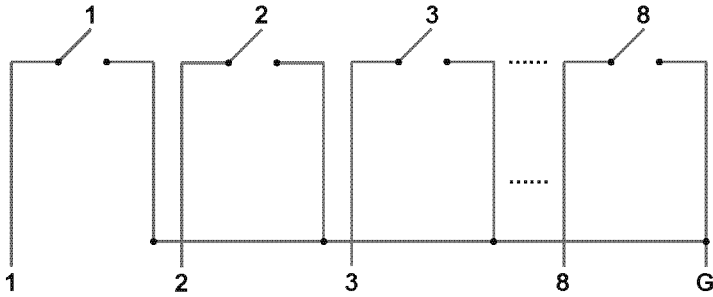
*Figure 8: Cascading 3 VP-81SP Units*



*Figure 9: Addressing 3 Cascaded VP-81SP Units*

## 6.4 Connecting the REMOTE Terminal Block<sup>1</sup> Connector

Connect remote contact-closure switches to the REMOTE terminal block connector (item 8 on the back panel) as [Figure 10](#) describes. A remote unit can consist of a mechanical switcher<sup>2</sup> with a common wire for ground<sup>3</sup>.



*Figure 10: Connecting a Remote Mechanical Switcher Unit to the VP-81SP*

You can also connect remote contact-closure switches to the REMOTE terminal block connectors. The example in [Figure 11](#) illustrates how to connect remote contact-closure switches to the REMOTE terminal block connectors on a set of three looped VS-81SP units:

1 The REMOTE terminal block connector has 8 pins (plus the G pin)

2 The remote unit can have up to 8 buttons for the VS-81SP, corresponding to the front panel INPUT SELECTOR buttons.

3 Providing control over a distance up to hundreds of meters

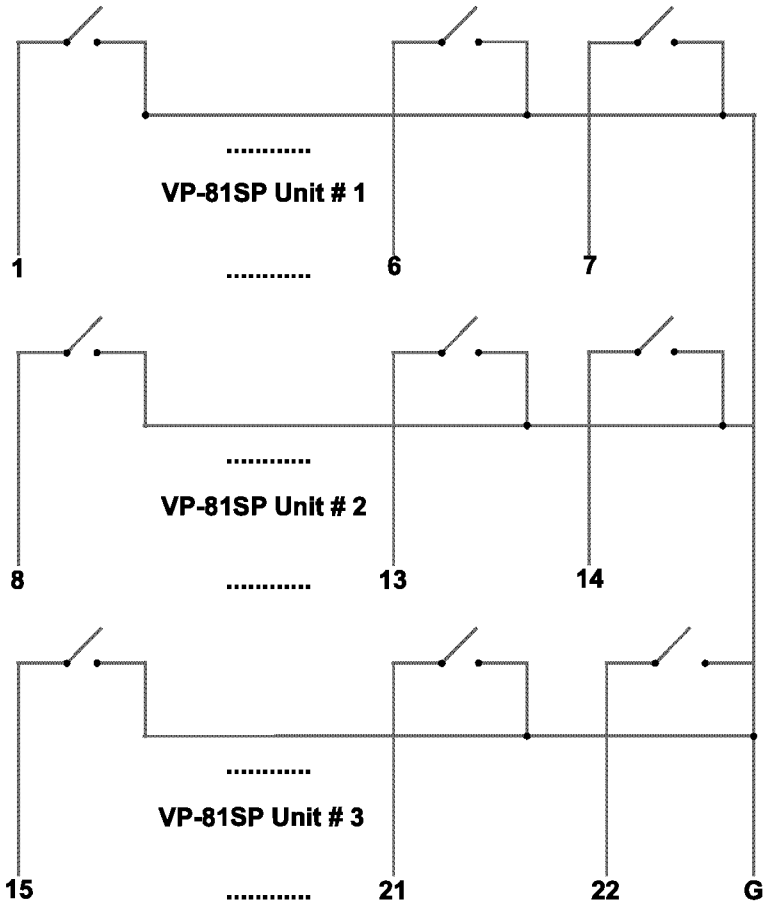


Figure 11: Connecting a Remote Unit to a Cascaded Set of Three VP-81SP Units

## 7 Operating the VS-81SP 8 x 1 Loudspeaker Switcher

You can operate your **VS-81SP** using:

- The front panel buttons
- RS-232/RS-485 serial commands transmitted by a touch screen system, PC, or other serial controller
- The infrared remote control transmitter

### 7.1 Using the Front Panel Buttons

To choose an input to switch to the output, press the appropriate IN/OUT SELECTOR button.

### 7.2 Using Serial Commands

To operate your device using serial commands, you need to install Kramer's control software that can be downloaded from the Kramer Electronics Web site<sup>1</sup>.

For an explanation of all control commands, see section 11.

### 7.3 Operating via the Infrared Remote Controller

You can use the **RC-IR2** IR transmitter to control the machine via the built-in IR receiver on the front panel or, instead, via an optional external IR receiver<sup>2</sup>. The external IR receiver can be located 15 meters away from the machine. This distance can be extended to up to 60 meters when used with three extension cables<sup>3</sup>

Before using the external IR receiver, be sure to arrange for your Kramer dealer to insert an internal IR connection cable<sup>4</sup>, which is required so that the REMOTE IR 3.5mm connector can be used. Connect the external IR receiver to the REMOTE IR 3.5mm connector.

To operate your device using the infra-red remote controller, see the User Manual packed with the remote controller.

---

1 Download Kramer control software from our Web site at <http://www.kramerelectronics.com>

2 P/N: 95-0104050

3 P/N: 95-0103050

4 P/N: 505-70434010-S

## 8 Technical Specifications

The **VS-81SP** technical specifications are shown in Table 5:

*Table 5: VS-81SP Technical Specifications<sup>1</sup>*

INPUT/OUTPUT:	For $R_L=4\Omega$ , $P_{SW}=256W$ ; for $R_L=8\Omega$ , $P_{SW}=512W$
POWER SOURCE:	100–240V AC, 3VA
DIMENSIONS:	19" x 7" x 1U W, D, H
WEIGHT:	2.0kg (4.4lbs)
ACCESSORIES:	Power cord, Windows <sup>®</sup> -based control software
OPTIONS:	19" rack mount; external remote IR receiver cable

## 9 Upgrading the VS-81SP Firmware

The **VS-81SP** functions by means of a device microcontroller that runs firmware located in FLASH memory. The latest version of firmware can be downloaded from the Kramer Web site<sup>2</sup> and updated in minutes using the following procedures:

- Download the file from the Internet (see section 9.1)
- Connect a PC to the RS-232 port (see section 9.2)
- Install the latest firmware (see section 9.3)

**Note:** The firmware upgrade should be carried out by skilled technical personnel. Failure to upgrade correctly can cause machine malfunction.

### 9.1 Downloading from the Internet

To download the latest file<sup>3</sup> from the Internet:

1. Go to our Web site at [www.kramerelectronics.com](http://www.kramerelectronics.com).
2. Select the appropriate device from the drop-down list.
3. Click the appropriate firmware link.
4. Click **Download File Now**.
5. Extract the downloaded file to a folder (for example, C:\Program Files\Kramer Flash).
6. Create a shortcut on your desktop to the file: “*FLIP.EXE*”.

<sup>1</sup> Specifications are subject to change without notice

<sup>2</sup> <http://www.kramerelectronics.com>

<sup>3</sup> The files indicated in this section are given as an example only. File names are liable to change from time to time

## 9.2 Connecting a PC to the RS-232 Port

To connect a PC to the RS-232 port of the **VS-81SP**:

1. Power the **VS-81SP** OFF.
2. Connect a serial cable from the **VS-81SP** RS-232 9-pin D-sub rear panel port to a PC as explained in section [6.1](#).
3. Do the following according to the sequence below:
  - Turn the POWER switch ON
  - Set DIP 9 ON
  - Set DIP 10 ON
  - Set DIP 12 ON
  - Set DIP 11 ON
  - After a few seconds, set DIP 11 OFF  
The front panel buttons may illuminate erratically. This is normal, and can be ignored.

## 9.3 Installing the Firmware

To install the firmware, perform the following steps:

1. Double-click the desktop icon **Shortcut to FLIP.EXE**.  
The Splash screen appears<sup>1</sup>:

---

<sup>1</sup> The screens appearing in this manual are examples of the process. The actual screens may differ in their content.

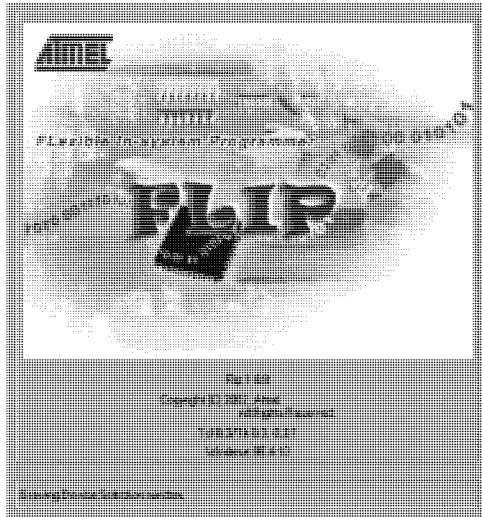


Figure 12: Splash Screen

2. After a few seconds, the Splash screen is replaced by the “Atmel – Flip” window:

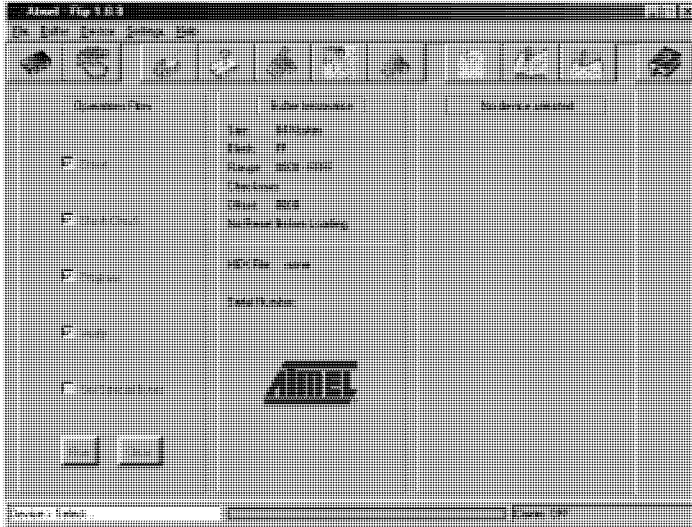


Figure 13: Atmel – Flip Window

3. Open the Device Selection window by:
- Pressing the keyboard shortcut key **F2**, or
  - Choosing the **Select** command from the Device menu, or
  - Pressing the integrated circuit icon in the upper right corner of the window).

The Device Selection window appears:

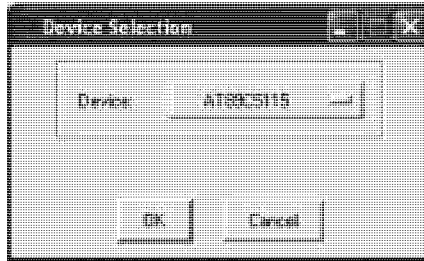


Figure 14: Device Selection Window

4. Click the button next to the name of the device and select from the list: **AT89C51RD2**:

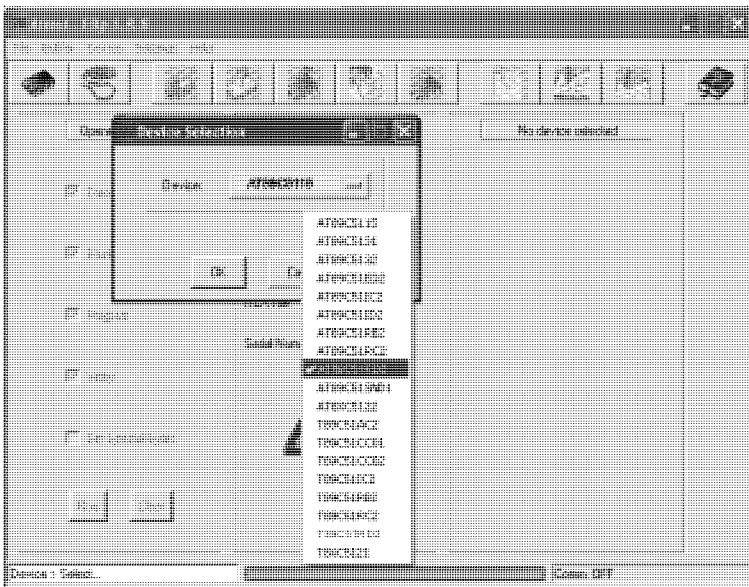


Figure 15: Device Selection Window



5. Click **OK**.
6. From the File menu, select **Load Hex**.

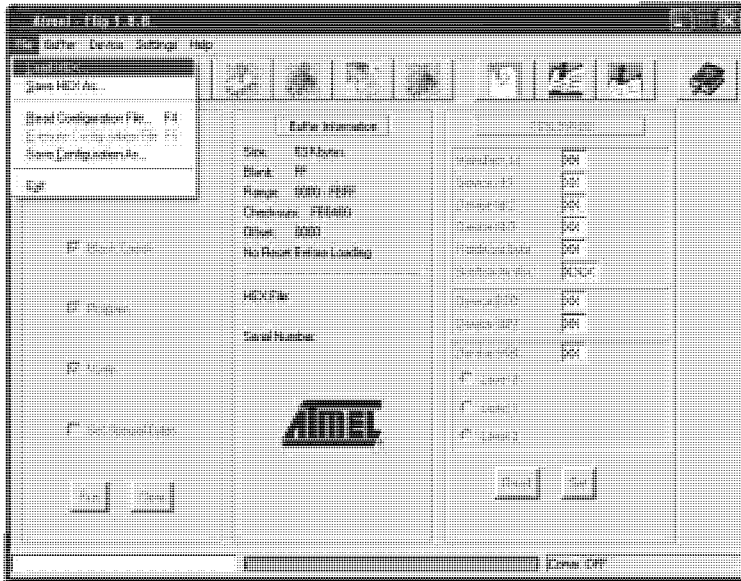


Figure 16: Loading the Hex

7. The Open File window opens. Select the correct HEX file that contains the updated version of the **VS-81SP** firmware (for example, **VP81SP\_V1p2.hex**) and click **Open**.
8. Open the RS-232 window by pressing the keyboard shortcut key **F3** (or select the **Communication / RS232** command from the *Settings* menu, or press the keys: **Alt-SCR**). The RS232 window appears.
9. Change the COM port settings according to the configuration of your computer and select the 9600 baud rate:

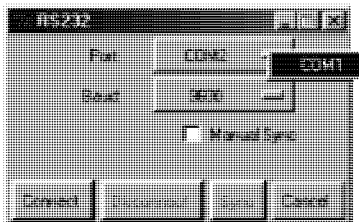


Figure 17: RS-232 Window

10. Click **Connect**.

In the Operations Flow column of the Atmel – Flip window, the Run button is active, and the name of the chip appears as the name of the third column: *AT89C51RD2*.

Verify that in the Buffer Information column, the “HEX File: VP81SP.hex” appears.

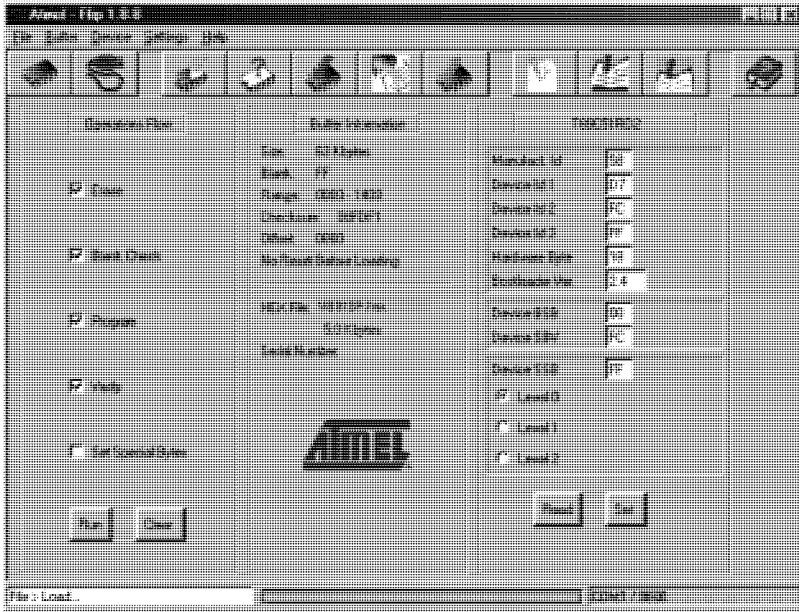


Figure 18: Atmel – Flip Window (Connected)

11. Click **Run**.

As each stage of the operation completes, the check-box for that stage changes to green<sup>1</sup>.

When the operation is complete, all four check-boxes are green and the message Memory Verify Pass appears<sup>2</sup> in the status bar.

1 See also the blue progress indicator on the status bar

2 If an error message: “Not Finished” shows, click Run again

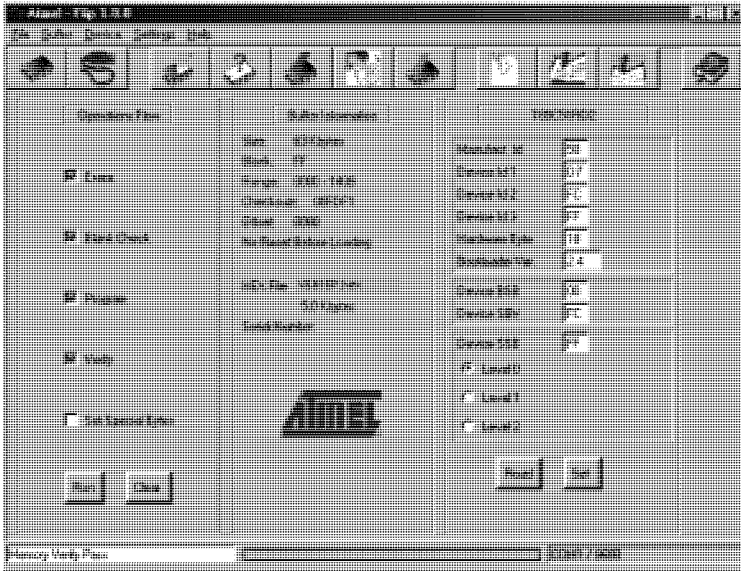


Figure 19: Atmel – Flip Window (Operation Completed)

12. Close the Atmel – Flip window.
13. Turn the POWER switch on the **VS-81SP** OFF.
14. Disconnect the RS-232 9-pin D-sub rear panel port on the **VS-81SP** unit from the null-modem adapter.
15. Set DIP 9 OFF.
16. Set DIP 10 OFF.
17. Set DIP 12 OFF.
18. Turn the POWER switch on the **VS-81SP** ON.  
Upon initialization, the **VS-81SP** works with the new firmware version.

## 10 Hex Table

Table 6 lists the Hex values (which the protocol in section 11 describes in more detail) for the **VS-81SP**:

Table 6: VS-81SP Hex Table

Input#	OUT
IN 1	01 81 81 81
IN 2	01 82 81 81
IN 3	01 83 81 81
IN 4	01 84 81 81
IN 5	01 85 81 81
IN 6	01 86 81 81
IN 7	01 87 81 81
IN 8	01 88 81 81

## 11 Kramer Protocol 2000

The **VS-81SP** is compatible with Kramer's Protocol 2000, version 0.50. This RS-232/RS-485 communication protocol uses four bytes of information as defined below. For RS-232, a null-modem connection between the machine and controller is used. The default data rate is 9600 baud, with no parity, 8 data bits, and 1 stop bit.

**Note:** Compatibility with Kramer's Protocol 2000 does not mean that a machine uses all of the commands below. Each machine uses a sub-set of Protocol 2000, according to its needs.

Table 7: Protocol Definitions

MSB								LSB
		DESTINATION		INSTRUCTION				
0	D	N5	N4	N3	N2	N1	N0	
7	6	5	4	3	2	1	0	
1st byte								
		INPUT						
1	I6	I5	I4	I3	I2	I1	I0	
7	6	5	4	3	2	1	0	
2nd byte								
		OUTPUT						
1	O6	O5	O4	O3	O2	O1	O0	
7	6	5	4	3	2	1	0	
3rd byte								
		MACHINE NUMBER						
1	OVR	X	M4	M3	M2	M1	M0	
7	6	5	4	3	2	1	0	
4th byte								

## Kramer Protocol 2000

1<sup>st</sup> BYTE: Bit 7 – Defined as 0.  
 D – “DESTINATION”: 0 - for sending information to the switchers (from the PC);  
 1 - for sending to the PC (from the switcher).  
 N5...N0 – “INSTRUCTION”

The function to be performed by the switcher(s) is defined by the INSTRUCTION (6 bits). Also, if a function is performed via the machine’s keyboard, then these bits are set with the INSTRUCTION NO. that was performed. The instruction codes are defined according to the table below (INSTRUCTION NO. is the value to be set for N5...N0).

2<sup>nd</sup> BYTE: Bit 7 – Defined as 1.  
 I6...I0 – “INPUT”.

When switching (i.e. instruction codes 1 and 2), the INPUT (7 bits) is set as the input number which is to be switched. Similarly, if switching is done via the machine’s front-panel, then these bits are set with the INPUT NUMBER which was switched. For other operations, these bits are defined according to the table.

3<sup>rd</sup> BYTE: Bit 7 – Defined as 1.  
 O6...O0 – “OUTPUT”.

When switching (ie. instruction codes 1 and 2), the OUTPUT (7 bits) is set as the output number which is to be switched. Similarly, if switching is done via the machine’s front-panel, then these bits are set with the OUTPUT NUMBER which was switched. For other operations, these bits are defined according to the table.

4<sup>th</sup> BYTE: Bit 7 – Defined as 1.  
 Bit 5 – Don’t care.  
 OVR – Machine number override.  
 M4...M0 – MACHINE NUMBER.

Used to address machines in a system via their machine numbers. When several machines are controlled from a single serial port, they are usually configured together with each machine having an individual machine number. If the OVR bit is set, then all machine numbers will accept (implement) the command, and the addressed machine will reply.

For a single machine controlled via the serial port, always set M4...M0 = 1, and make sure that the machine itself is configured as MACHINE NUMBER = 1.

*Table 8: Instruction Codes for Protocol 2000*

Note: All values in the table are decimal, unless otherwise stated.

INSTRUCTION		DEFINITION FOR SPECIFIC INSTRUCTION		NOTE
#	DESCRIPTION	INPUT	OUTPUT	
0	RESET VIDEO	0	0	1
1	SWITCH VIDEO	Set equal to video input which is to be switched (0 = disconnect)	Set equal to video output which is to be switched (0 = to all the outputs)	2, 15
2	SWITCH AUDIO	Set equal to audio input which is to be switched (0 = disconnect)	Set equal to audio output which is to be switched (0 = to all the outputs)	2
5	REQUEST STATUS OF A VIDEO OUTPUT	Set as SETUP #	Equal to output number whose status is reqd	4, 3
6	REQUEST STATUS OF AN AUDIO OUTPUT	Set as SETUP #	Equal to output number whose status is reqd	4, 3
18	RESET AUDIO	0	0	1
61	IDENTIFY MACHINE	1 - video machine name 2 - audio machine name 3 - video software version 4 - audio software version 5 - RS422 controller name 6 - RS422 controller version 7 - remote control name 8 - remote software version 9 - Protocol 2000 revision	0 - Request first 4 digits 1 - Request first suffix 2 - Request second suffix 3 - Request third suffix 10 - Request first prefix 11 - Request second prefix 12 - Request third prefix	13
62	DEFINE MACHINE	1 - number of inputs 2 - number of outputs 3 - number of setups	1 - for video 2 - for audio 3 - for SDI 4 - for remote panel 5 - for RS-422 controller	14

NOTES on the above table:

**NOTE 1** – When the master switcher is reset, (e.g. when it is turned on), the reset code is sent to the PC. If this code is sent to the switchers, it will reset according to the present power-down settings.

**NOTE 2** – These are bi-directional definitions. That is, if the switcher receives the code, it will perform the instruction; and if the instruction is performed (due to a keystroke operation on the front panel), then these codes are sent. For example, if the HEX code

01            85            88            83

was sent from the PC, then the switcher (machine 3) will switch input 5 to output 8. If the user switched input 1 to output 7 via the front panel keypad, then the switcher will send HEX codes:

41            81            87            83

to the PC.

When the PC sends one of the commands in this group to the switcher, then, if the instruction is valid, the switcher replies by sending to the PC the same four bytes that it was sent (except for the first byte, where the DESTINATION bit is set high).

**NOTE 3** – SETUP # 0 is the present setting. SETUP # 1 and higher are the settings saved in the switcher's memory, (i.e. those used for Store and Recall).

**NOTE 4** – The reply to a "REQUEST" instruction is as follows: the same instruction and INPUT codes as were sent are returned, and the OUTPUT is assigned the value of the requested parameter. The replies to instructions 10 and 11 are as per the definitions in instructions 7 and 8 respectively. For example, if the present status of machine number 5 is breakaway setting, then the reply to the HEX code

0B            80            80            85

would be HEX codes

4B            80            81            85

**NOTE 13** – This is a request to identify the switcher/s in the system. If the OUTPUT is set as 0, and the INPUT is set as 1, 2, 5 or 7, the machine will send its name. The reply is the decimal value of the INPUT and OUTPUT. For example, for a 2216, the reply to the request to send the audio machine name would be (HEX codes):

7D            96            90            81 (i.e. 128dec+ 22dec for 2nd byte, and 128dec+ 16dec for 3rd byte).

If the request for identification is sent with the INPUT set as 3 or 4, the appropriate machine will send its software version number. Again, the reply would be the decimal value of the INPUT and OUTPUT - the INPUT representing the number in front of the decimal point, and the OUTPUT representing the number after it. For example, for version 3.5, the reply to the request to send the version number would be (HEX codes):

7D            83            85            81 (i.e. 128dec+ 3dec for 2nd byte, 128dec+ 5dec for 3rd byte).

If the OUTPUT is set as 1, then the ASCII coding of the lettering following the machine's name is sent. For example, for the VS-7588YC, the reply to the request to send the first suffix would be (HEX codes):

7D            D9            C3            81 (i.e. 128dec+ ASCII for "Y"; 128dec+ ASCII for "C").

**NOTE 14** – The number of inputs and outputs refers to the specific machine which is being addressed, not to the system. For example, if six 16X16 matrices are configured to make a 48X32 system (48 inputs, 32 outputs), the reply to the HEX code

3E            82            81            82 (ie. request the number of outputs)

would be HEX codes

7E            82            90            82 ie. 16 outputs

**NOTE 15** – When the OVR bit (4th byte) is set, then the "video" commands have universal meaning. For example, instruction 1 (SWITCH VIDEO) will cause all units (including audio, data, etc.) to switch. Similarly, if a machine is in "FOLLOW" mode, it will perform any "video" instruction.

---

## LIMITED WARRANTY

Kramer Electronics (hereafter *Kramer*) warrants this product free from defects in material and workmanship under the following terms.

### HOW LONG IS THE WARRANTY

Labor and parts are warranted for seven years from the date of the first customer purchase.

### WHO IS PROTECTED?

Only the first purchase customer may enforce this warranty.

### WHAT IS COVERED AND WHAT IS NOT COVERED

Except as below, this warranty covers all defects in material or workmanship in this product. The following are not covered by the warranty:

1. Any product which is not distributed by Kramer, or which is not purchased from an authorized Kramer dealer. If you are uncertain as to whether a dealer is authorized, please contact Kramer at one of the agents listed in the Web site [www.kramerelectronics.com](http://www.kramerelectronics.com).
2. Any product, on which the serial number has been defaced, modified or removed, or on which the WARRANTY VOID IF TAMPERED sticker has been torn, reattached, removed or otherwise interfered with.
3. Damage, deterioration or malfunction resulting from:
  - i) Accident, misuse, abuse, neglect, fire, water, lightning or other acts of nature
  - ii) Product modification, or failure to follow instructions supplied with the product
  - iii) Repair or attempted repair by anyone not authorized by Kramer
  - iv) Any shipment of the product (claims must be presented to the carrier)
  - v) Removal or installation of the product
  - vi) Any other cause, which does not relate to a product defect
  - vii) Cartons, equipment enclosures, cables or accessories used in conjunction with the product

### WHAT WE WILL PAY FOR AND WHAT WE WILL NOT PAY FOR

We will pay labor and material expenses for covered items. We will not pay for the following:

1. Removal or installations charges.
2. Costs of initial technical adjustments (set-up), including adjustment of user controls or programming. These costs are the responsibility of the Kramer dealer from whom the product was purchased.
3. Shipping charges.

### HOW YOU CAN GET WARRANTY SERVICE

1. To obtain service on your product, you must take or ship it prepaid to any authorized Kramer service center.
2. Whenever warranty service is required, the original dated invoice (or a copy) must be presented as proof of warranty coverage, and should be included in any shipment of the product. Please also include in any mailing a contact name, company, address, and a description of the problem(s).
3. For the name of the nearest Kramer authorized service center, consult your authorized dealer.

### LIMITATION OF IMPLIED WARRANTIES

All implied warranties, including warranties of merchantability and fitness for a particular purpose, are limited in duration to the length of this warranty.

### EXCLUSION OF DAMAGES

The liability of Kramer for any effective products is limited to the repair or replacement of the product at our option. Kramer shall not be liable for:

1. Damage to other property caused by defects in this product, damages based upon inconvenience, loss of use of the product, loss of time, commercial loss; or:
2. Any other damages, whether incidental, consequential or otherwise. Some countries may not allow limitations on how long an implied warranty lasts and/or do not allow the exclusion or limitation of incidental or consequential damages, so the above limitations and exclusions may not apply to you.

This warranty gives you specific legal rights, and you may also have other rights, which vary from place to place.

**NOTE:** All products returned to Kramer for service must have prior approval. This may be obtained from your dealer.

This equipment has been tested to determine compliance with the requirements of:

- EN-50081: "Electromagnetic compatibility (EMC);  
generic emission standard.  
Part 1: Residential, commercial and light industry"
- EN-50082: "Electromagnetic compatibility (EMC) generic immunity standard.  
Part 1: Residential, commercial and light industry environment".
- CFR-47: FCC\* Rules and Regulations:  
Part 15: "Radio frequency devices  
Subpart B Unintentional radiators"

### CAUTION!

Servicing the machines can only be done by an authorized Kramer technician. Any user who makes changes or modifications to the unit without the expressed approval of the manufacturer will void user authority to operate the equipment.

Use the supplied DC power supply to feed power to the machine.


Please use recommended interconnection cables to connect the machine to other components.

\* FCC and CE approved using STP cable (for twisted pair products)



---

For the latest information on our products and a list of Kramer distributors, visit our Web site: [www.kramerelectronics.com](http://www.kramerelectronics.com) where updates to this user manual may be found. We welcome your questions, comments and feedback.

 <p><b>Caution</b></p>	<p><b>Safety Warning</b> Disconnect the unit from the power supply before opening/servicing.</p>
---	--

