

DigitalMedia™ Cards: DMC Series

Installation instructions for input and output cards are nearly identical:

- This page shows installation instructions for input cards.
- Turn over for output card installation instructions.

DMC Series – Input Cards

CAUTION: Cards are static sensitive. Standard electrostatic discharge precautions should be followed when handling cards.

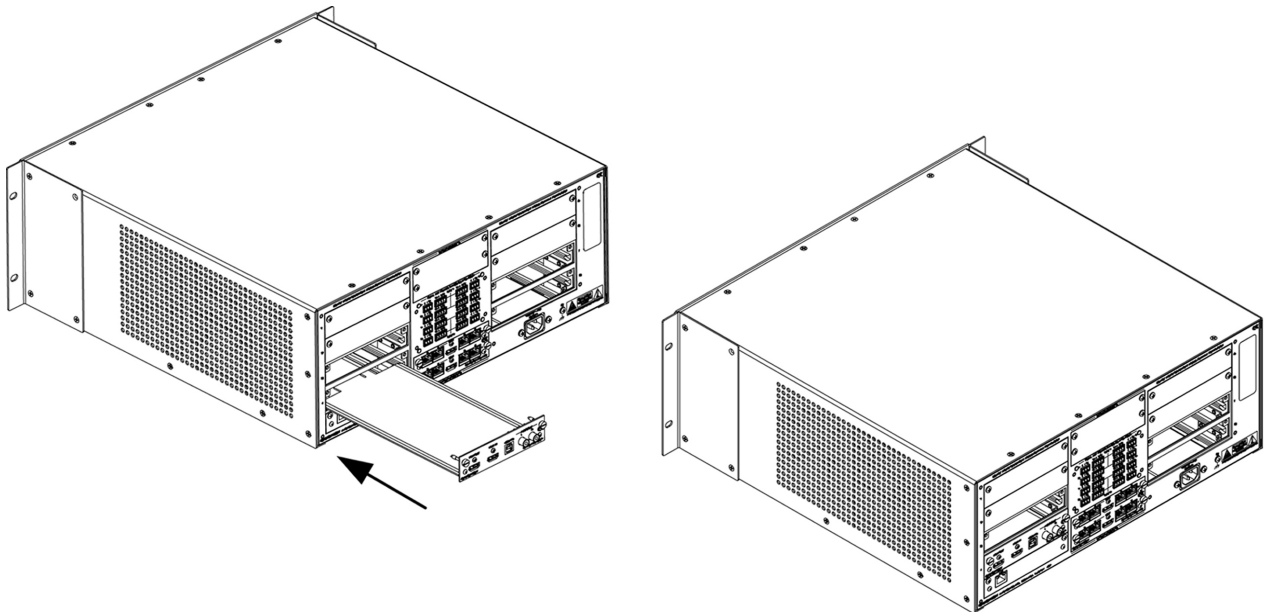
CAUTION: Cards are not hot swappable. Always remove power to the DigitalMedia switcher when performing any work on it.

Input cards occupy the slots along the left and right of DigitalMedia switcher. The DigitalMedia switcher must be disconnected from its power source before installing or removing input cards. Follow the instructions below to install the input cards.

1. Remove slot covers by unscrewing two Phillips head screws.
2. Slide card in, make sure board is properly aligned with card guides. Use caution to avoid damage to pins on the bottom of the cards.
3. When card is 1/4 inch from fully seated position, align thumb screws before seating into backplane.
4. Firmly seat card in backplane by pushing card evenly just below thumb screws until it is fully inserted.
5. Tighten thumb screws by hand to secure input card.

NOTE: Do not over tighten thumb screws.

Installing Input Card (DM-MD8x8 Shown)



DMC Series – Output Cards

CAUTION: Cards are static sensitive. Standard electrostatic discharge precautions should be followed when handling cards.

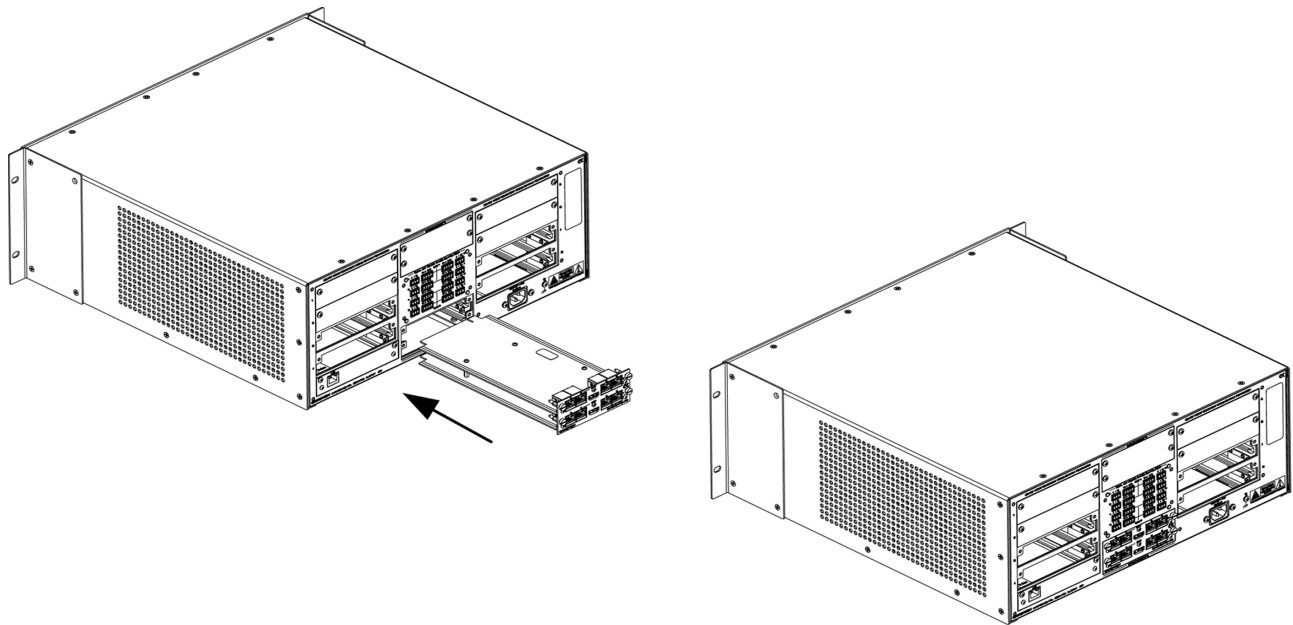
CAUTION: Cards are not hot swappable. Always remove power to the DigitalMedia switcher when performing any work on it.

Output cards occupy the center slots along the top and bottom of the DigitalMedia switcher. The DigitalMedia switcher must be disconnected from its power source before installing or removing output cards. Follow the instructions below to install the output cards.

1. Remove slot covers by unscrewing four Phillips head screws.
2. Slide card in, make sure both boards are properly aligned with both card guides. Use caution to avoid damage to pins on the bottom of the cards.
3. When card is 1/4 inch from fully seated position, align thumb screws before seating into backplane.
4. Firmly seat card in backplane by pushing card evenly between thumb screws until it is fully inserted.
5. Tighten thumb screws by hand to secure output card.

NOTE: Do not over tighten thumb screws.

Installing Output Card (DM-MD8x8 Shown)



Further Inquiries

If you cannot locate specific information or have questions after reviewing this guide, please take advantage of Crestron's award winning customer service team by calling Crestron at 1-888-CRESTRON [1-888-273-7876].

You can also log onto the online help section of the Crestron website (www.crestron.com/onlinehelp) to ask questions about Crestron products. First-time users will need to establish a user account to fully benefit from all available features.