

Crestron **V12 & V15**

V-Panel™

12" & 15" HD Touch Screen Displays

---

Operations Guide



## Regulatory Compliance

As of the date of manufacture, the V12 and V15 have been tested and found to comply with specifications for CE marking and standards per EMC and Radiocommunications Compliance Labelling.



---

## Federal Communications Commission (FCC) Compliance Statement

This device complies with part 15 of the FCC Rules. Operation is subject to the following conditions:

(1) This device may not cause harmful interference and (2) this device must accept any interference received, including interference that may cause undesired operation.

**CAUTION:** Changes or modifications not expressly approved by the manufacturer responsible for compliance could void the user's authority to operate the equipment.

**NOTE:** This equipment has been tested and found to comply with the limits for a Class B digital device, pursuant to part 15 of the FCC Rules. These limits are designed to provide reasonable protection against harmful interference in a residential installation. This equipment generates, uses and can radiate radio frequency energy and, if not installed and used in accordance with the instructions, may cause harmful interference to radio communications. However, there is no guarantee that interference will not occur in a particular installation. If this equipment does cause harmful interference to radio or television reception, which can be determined by turning the equipment off and on, the user is encouraged to try to correct the interference by one or more of the following measures:

- Reorient or relocate the receiving antenna
- Increase the separation between the equipment and receiver
- Connect the equipment into an outlet on a circuit different from that to which the receiver is connected
- Consult the dealer or an experienced radio/TV technician for help

---

## Industry Canada (IC) Compliance Statement

CAN ICES-3(B)/NMB-3(B)

---

The specific patents that cover Crestron products are listed at [patents.crestron.com](http://patents.crestron.com).

Crestron, the Crestron logo, Cresnet, Crestron Home, DigitalMedia, DM, DMNet, Smart Graphics, SmartObjects, TouchPoint and V-Panel are trademarks or registered trademarks of Crestron Electronics, Inc. in the United States and other countries. Acrobat, Adobe and Flash are either trademarks or registered trademarks of Adobe Systems Incorporated in the United States and/or other countries. Blu-ray Disc is either a trademark or registered trademark of the Blu-ray Disc Association (BDA) in the United States and/or other countries. YouTube is either a trademark or registered trademark of Google, Inc. in the United States and/or other countries. HDMI, the HDMI logo and High Definition Multimedia Interface are either trademarks or registered trademarks of HDMI Licensing LLC in the United States and/or other countries. Excel, Internet Explorer, Microsoft, PowerPoint, Windows, Windows Media Player and Word are either trademarks or registered trademarks of Microsoft Corporation in the United States and/or other countries. Netflix is either a trademark or registered trademark of Netflix, Inc. in the United States and/or other countries. Java is either a trademark or registered trademark of Oracle America, Inc. in the United States and/or other countries. Other trademarks, registered trademarks and trade names may be used in this document to refer to either the entities claiming the marks and names or their products. Crestron disclaims any proprietary interest in the marks and names of others. *Crestron is not responsible for errors in typography or photography.*

This document was written by the Technical Publications department at Crestron.  
©2013 Crestron Electronics, Inc.

# Contents

<b>V-Panel™ 12" and 15" HD Touch Screen Displays: V12 &amp; V15</b>	<b>1</b>
Introduction .....	1
Features and Functions .....	1
Applications.....	7
Specifications .....	8
Physical Description.....	13
Setup.....	27
Configuring the V-Panel.....	27
Hardware Hookup .....	27
Tilt Tension Adjustment.....	28
Recommended Cleaning.....	28
Resources.....	29
Reference Documents.....	29
Further Inquiries .....	29
Future Updates .....	29
Return and Warranty Policies.....	30
Merchandise Returns / Repair Service .....	30
Crestron Limited Warranty.....	30



# V-Panel™ 12" and 15" HD Touch Screen Displays: V12 & V15

---

## Introduction

Crestron® V-Panels™ deliver the ultimate touch screen experience, blending style and function with advanced high definition graphics. Sleek and beautiful, our V-Panel displays are perfectly at home sitting on a contemporary table or desktop but are equally suited for all kinds of custom installations, thanks to integral VESA mount compatibility. Complete connectivity is provided through a simple, one-wire interface that allows for long wire runs while affording an extremely clean appearance. V-Panel also supports HDCP to ensure complete compatibility with today's digital sources.

The V-Panels feature brilliant 12" SVGA (V12) or 15" WXGA (V15) displays capable of producing stunning 24-bit color graphics and video. Together with a DGE Digital Graphics Engine (sold separately), the V12 and V15 deliver elegant and powerful control solutions featuring Smart Graphics™, dual window HD video<sup>1</sup>, high performance H.264 streaming video<sup>2</sup>, onboard multimedia and Web browsing, audio feedback, IP intercom and built-in annotation.

For simplicity within this guide, the term "V12/15" is used except where noted.

## Features and Functions

- Sleek, beautiful, versatile
- 12" (V12) and 15" widescreen (V15) touch screen display
- 800 x 600 SVGA (V12) and 1280 x 768 WXGA (V15) display resolution
- High definition 24-bit color graphics
- HDCP-ready touch screen controller

*(Continued on following page)*

1. Support for Smart Graphics requires a DGE-2 (sold separately). Support for multiple video windows, high definition video, RGB/VGA, HDMI® and presentation output and DigitalMedia™ system integration requires a DGE-2 or DVPHD (both sold separately). Additional equipment may be required. The DGE-1 (sold separately) supports only standard definition analog video displayed in a single window and does not currently support Smart Graphics or integration with a DigitalMedia system.
2. Support for H.264 streaming video requires a DGE-2. MJPEG and Windows Media® Player formats are supported used a DGE-1 or DGE-2.

## Features and Functions

*(Continued)*

- VESA compatible mounting affords endless install options
- Tabletop tilt model features clean, modern design
- Wall mount model installs flush in shallow spaces
- Contemporary appearance blends in anywhere
- DigitalMedia™ technology minimizes the amount of visible wiring
- Digital Graphics Engine (DGE) (sold separately) installs up to 300 feet (91 meters) away<sup>1</sup>
- Also works with the DVPHD Digital Video Processor (sold separately)<sup>2</sup>
- Built-in microphone and speakers
- USB keyboard/mouse port
- Silent fanless design
- Available in white or black

### **Advanced Touch Screen Control**

A Crestron touch screen offers an ideal user interface for controlling all the technology in a home, boardroom, classroom, courtroom or command center. Touch screens do away with piles of remote controls, cluttered wall switches and cryptic computer screens, simplifying and enhancing the technology. For controlling audio, video, lighting, shades, HVAC, security and other systems, Crestron touch screens are fully customizable with easy to use controls and icons, true feedback and real time status display, full-motion video windows and advanced navigation of digital media servers, tuners and other devices.

### **Sleek, Versatile Design**

Our V-Panels have been designed with appearance and versatility in mind. At less than 2 inches (51 millimeters) deep, the V12/15 can be mounted virtually anywhere using a third-party VESA 75 compliant mounting bracket or stand. Tabletop tilt models (V12-TILT and V15-TILT) are offered, each supplied with its own ultra stylish, smooth tilt base to deliver a sleek looking, low profile control solution for desktops, counters and other level surfaces. Wall mount models (V12-WALL and V15-WALL) are also offered, affording the same V-Panel style and function in a thoroughly modern, yet unimposing, flush mount design.

1. The V12/15 features a DM CAT type input. For direct connection to a DGE-1, use DM-CBL DigitalMedia cable up to 150 feet (45 meters) in length. For connection to a DGE-2, direct or via a DigitalMedia switcher, use DM-CBL DigitalMedia cable up to 300 feet (91 meters) in length. For connection to a DVPHD, via a DigitalMedia transmitter or switcher, use DM-CBL DigitalMedia cable up to 300 feet (91 meters) in length. A single DM Repeater (model DM-DR, sold separately) is required for lengths over 150 feet (45 meters). Deduct 20 feet (6 meters) for each V-IMCW interface module. Refer to the latest version of the Crestron DigitalMedia Design Guide (Doc. 4546) for DM system design guidelines. It is available from the Crestron Web site ([www.crestron.com/dmresources](http://www.crestron.com/dmresources)). The V12 and V15 include (1) V-CBL-T3 three foot (~0.9 meter) V-Cable and V-IMCW interface module and the V12-TILT and V15-TILT models include (1) V-CBL-T6 6 foot (~1.8 meter) V-Cable and V-IMCW interface module. The V12-WALL and V15-WALL models include no cable or interface module. Refer to the spec sheet for each individual product or contact your Crestron representative for complete information.
2. An Ethernet enabled control system and DM CAT interface are required for use with a DVPHD. Be advised, DVPHD does not support audio, intercom, streaming media, Web browsing or other embedded PC functionality.

### **Digital Graphics Engine**

For every V-Panel application, a DGE Digital Graphics Engine (sold separately) is required. The DGE can be installed at the central equipment location, dramatically reducing all the wiring from head end AV sources, switchers and the control network. A choice of DGEs is offered, allowing V-Panel to fit a range of applications and budgets. A single DigitalMedia cable connects the V12/15 to the DGE over a wiring distance of up to 300 feet (91 meters), affording exceptional flexibility while minimizing wiring cost and complexity.\*

### **Smart Graphics**

Crestron touch screens use Smart Graphics to deliver the ultimate user experience and the ultimate value, by enabling the creation of dynamically rich user interfaces with incredible efficiency and unparalleled functionality. Using Smart Graphics, programmers can swiftly integrate fluid gesture-driven controls, animated feedback, metadata, embedded apps and full-motion video for a deeply engaging and ultra-intuitive touch screen experience.

Crestron Smart Graphics include the following enhancements:

- Cool looking graphical buttons, sliders, knobs and gauges are intuitive and fun to use.
- Kinetic effects enhance the feeling of realism with lists and toolbars that scroll with momentum at the flick of a fingertip.
- Drag and drop objects snap into place offering an easy way to switch sources.
- Dashboard widgets personalize the touch screen with clocks, weather, news and other information.
- Customizable themes allow a completely different look and feel for every user, event or season.
- Fully developed SmartObjects™ enable sophisticated control over complex devices with minimal programming.

\* The V12/15 features a DM CAT type input. For direct connection to a DGE-1, use DM-CBL DigitalMedia cable up to 150 feet (45 meters) in length. For connection to a DGE-2, direct or via a DigitalMedia switcher, use DM-CBL DigitalMedia cable up to 300 feet (91 meters) in length. For connection to a DVPHD, via a DigitalMedia transmitter or switcher, use DM-CBL DigitalMedia cable up to 300 feet (91 meters) in length. A single DM Repeater (model DM-DR, sold separately) is required for lengths over 150 feet (45 meters). Deduct 20 feet (6 meters) for each V-IMCW interface module. Refer to the latest version of the Crestron DigitalMedia Design Guide (Doc. 4546) for DM system design guidelines. The V12 and V15 include (1) V-CBL-T3 three foot (~0.9 meter) V-Cable and V-IMCW interface module and the V12-TILT and V15-TILT models include (1) V-CBL-T6 6 foot (~1.8 meter) V-Cable and V-IMCW interface module. The V12-WALL and V15-WALL models include no cable or interface module. Refer to the spec sheet for each individual product or contact your Crestron representative for complete information.

### ***Embedded PC Applications***

In combination with a DGE graphics engine, the V12/15 provides everything needed to enjoy online music and videos, browse the Internet and even review digital documents without a separate computer. With Microsoft® Internet Explorer® embedded, there is full access to the entire World Wide Web including sites that use Flash® or Java®. Windows Media® Player ensures broad compatibility for playing most types of digital media. Adobe® Acrobat® Reader and Microsoft® PowerPoint®, Word and Excel® document viewers complete the online experience, allowing downloading and viewing of documents and presentations.

In addition, VNC Viewer support delivers enhanced cross-platform interaction with computers over the network or Internet, allowing remote access and control of desktop applications to unleash a host of possibilities for system integration and multimedia presentation.

### ***HD Streaming Video***

High definition streaming video<sup>1</sup> capability makes it possible to view security cameras and other video sources over the network right on the touch screen. Native support for H.264<sup>1</sup> and MJPEG formats allows the TPMC-V12/15 and DGE<sup>1</sup> to display live video images from IP cameras and servers such as the Crestron CEN-NVS200 Network Video Streamer (sold separately). Also, through the embedded Web browser and media player, they support a wide variety of other streaming and downloadable video formats, enabling access to all kinds of content from media servers and Web sites like YouTube® and Netflix®<sup>2</sup>.

### ***HDMI and Analog Video***

In addition to handling streaming video, the V12/15 can simultaneously display up to two fully scalable, full motion video windows, each supporting SD or HD video and high resolution computer signals from external sources. All connections are made at the DGE (sold separately) using conventional BNC, HDMI® and VGA type cables.<sup>3</sup>

### ***HDCP Support***

Industry leading support for HDCP (High-bandwidth Digital Content Protection) ensures seamless compatibility with content protected DVD, Blu-ray Disc®, digital HDTV and multimedia computer sources.

### ***IP Intercom***

V-Panels support 2-way voice communication via a choice of IP or Crestron Home® (CH) CAT5 wired intercom. Crestron IP intercom eliminates the need for dedicated audio wiring, enabling 2-way speech and room monitoring over Ethernet with other compatible Crestron touch screens. Wired analog intercom is also supported through a dedicated CAT5 audio connection between the DGE and a C2N-IADS30X24 (sold separately) or other CH CAT5 switcher or processor.<sup>4</sup>

1. Support for H.264 streaming video requires a DGE-2. MJPEG and Windows Media Player formats are supported used a DGE-1 or DGE-2.
2. Accessing Netflix content requires an active Netflix account. Refer to [www.netflix.com](http://www.netflix.com) for details.
3. Support for Smart Graphics requires a DGE-2 (sold separately). Support for multiple video windows, high definition video, RGB/VGA, HDMI® and presentation output and DigitalMedia™ system integration requires a DGE-2 or DVPHD (both sold separately). Additional equipment may be required. The DGE-1 (sold separately) supports only standard definition analog video displayed in a single window and does not currently support Smart Graphics or integration with a DigitalMedia system.
4. For IP Intercom, the V12/15 must connect directly to the DGE via DM CAT with no repeaters or switchers in line.



### ***Speakers and Microphone***

Built-in front firing speakers provide clear audio for listening to multimedia and monitoring external AV sources, as well as for intercom in combination with the integrated microphone. Customized audio files can be used to add another dimension to the touch screen graphics with personalized sounds, button feedback and voice prompts.

### ***Keyboard/Mouse Options***

On-screen keyboard and mouse capabilities enable complete control of the embedded Web browser and other applications and can also be used to control computers running TouchPoint® Virtual Mouse & Keyboard Software (VMK-WIN). A USB port is also provided on the V12/15, allowing for the connection of a physical keyboard and mouse.

### ***Real Time Annotation***

Whether conducting a high level boardroom meeting, training seminar or watching sports in the home theater, annotation helps put the fine point on any presentation. Built-in annotation provides the ability to illustrate thoughts on the fly, letting the user draw and write over high definition video and computer images and sketch out ideas on a whiteboard screen, without leaving the podium or a favorite chair while other viewers watch on the big screen.

### ***Remote Annotation***

Remote annotation capability allows multiple touch screen users to draw with their fingertips over the same video image or whiteboard screen, enabling enhanced interaction between several participants in a courtroom, classroom or council chamber.

### ***Presentation Output***

Through an HDMI or DigitalMedia connection at the DGE, the V12/15 screen image can be sent to additional displays, allowing videos, PowerPoint presentations, annotation and other on-screen media to be shared with a live audience.\*

### ***DigitalMedia***

DigitalMedia (DM®) connectivity opens up new ways to configure a touch screen control system. For instance, using a DM switcher such as the DM-MD8X8 (sold separately), multiple V12/15 touch screens can be connected to a single DGE, providing a simple, cost effective way for multiple participants to view and control the same graphical interface. DigitalMedia also provides a versatile means for distributing touch screen content to additional displays and sound systems to serve a larger audience.\*

\* Support for Smart Graphics requires a DGE-2 (sold separately). Support for multiple video windows, high definition video, RGB/VGA, HDMI® and presentation output and DigitalMedia™ system integration requires a DGE-2 or DVPHD (both sold separately). Additional equipment may be required. The DGE-1 (sold separately) supports only standard definition analog video displayed in a single window and does not currently support Smart Graphics or integration with a DigitalMedia system.

The V12/15 features a DM CAT type input, supporting the direct connection to a Digital Graphics Engine model DGE-1 or DGE-2 (both sold separately). It can also connect to any DM switcher or transmitter equipped with a DM CAT output. A single DigitalMedia cable carries all video, audio, Ethernet, USB, control and power signals up to 300 feet (91 meters).<sup>1</sup>

### ***DVPHD Integration***

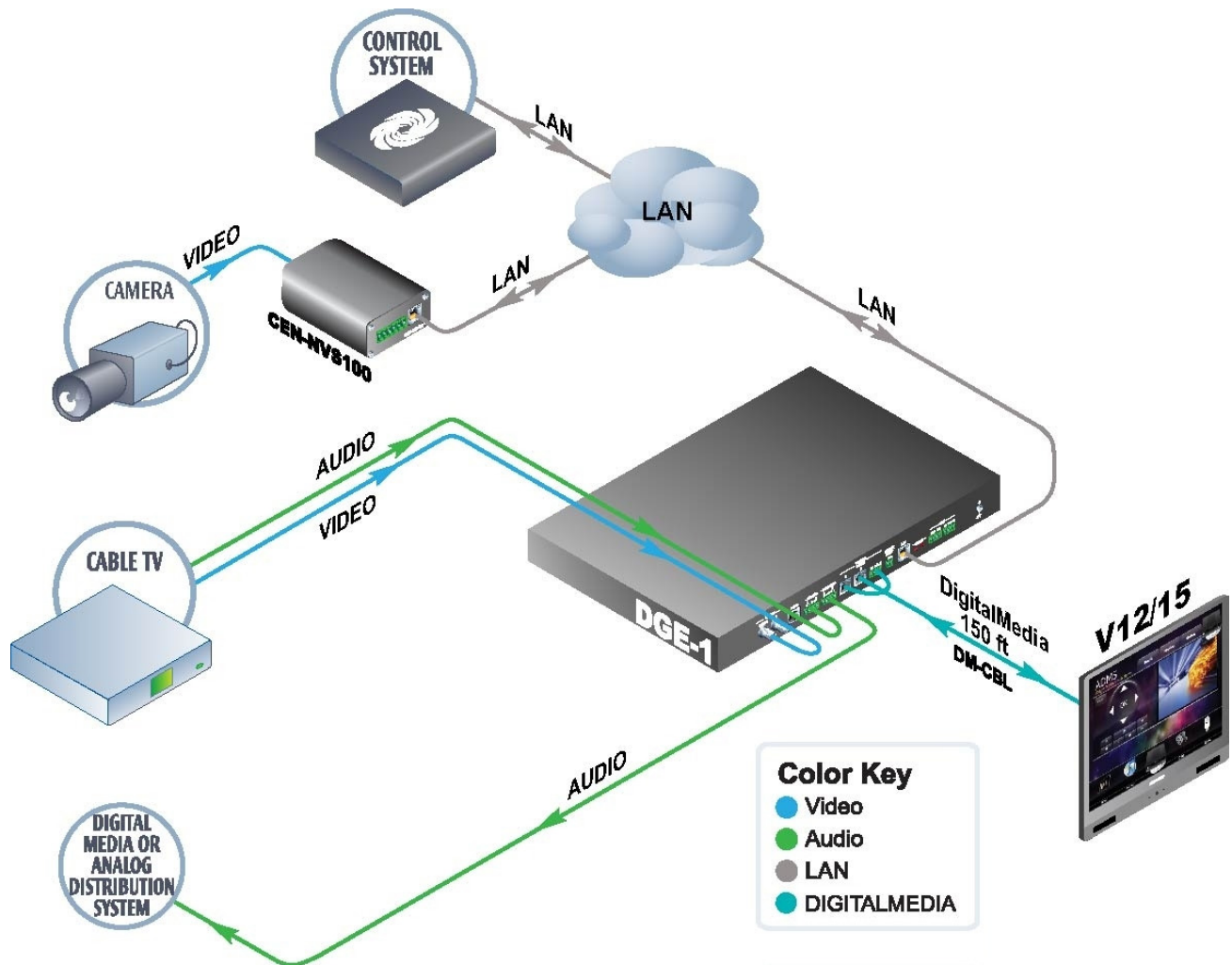
In addition to the DGE-1 and DGE-2, V-Panel is also compatible with the award winning DVPHD High Definition Digital Video Processor (sold separately), enabling the display of up to eight simultaneous video windows along with HD touch screen graphics and annotation. The DVPHD supports high definition video and computer signals from a wide variety of digital and analog sources. Its DVI output connects to the V12/V15 via a DM CAT transmitter or DigitalMedia switcher.<sup>1,2</sup>

1. The V12/15 features a DM CAT type input. For direct connection to a DGE-1, use DM-CBL DigitalMedia cable up to 150 feet (45 meters) in length. For connection to a DGE-2, direct or via a DigitalMedia switcher, use DM-CBL DigitalMedia cable up to 300 feet (91 meters) in length. For connection to a DVPHD, via a DigitalMedia transmitter or switcher, use DM-CBL DigitalMedia cable up to 300 feet (91 meters) in length. A single DM Repeater (model DM-DR, sold separately) is required for lengths over 150 feet (45 meters). Deduct 20 feet (6 meters) for each V-IMCW interface module. Refer to the latest version of the Crestron DigitalMedia Design Guide (Doc. 4546) for DM system design guidelines. The V12 and V15 include (1) V-CBL-T3 three foot (~0.9 meter) V-Cable and V-IMCW interface module and the V12-TILT and V15-TILT models include (1) V-CBL-T6 6 foot (~1.8 meter) V-Cable and V-IMCW interface module. The V12-WALL and V15-WALL models include no cable or interface module. Refer to the spec sheet for each individual product or contact your Crestron representative for complete information.
2. An Ethernet enabled control system and DM CAT interface are required for use with a DVPHD. Be advised, DVPHD does not support audio, intercom, streaming media, Web browsing or other embedded PC functionality.

### Applications

The following diagram shows a V12/15 in a typical application.

*V12/15 in a Typical Application*



## Specifications

Specifications for the V12/15 are listed in the following table.

### V12/15 Specifications

SPECIFICATION	DETAILS
Touch Screen Display	
Display Type	TFT Active Matrix Color Display
Size	
V12	12.1 inch (307 mm) diagonal
V15	15.3 inch (390 mm) diagonal
Aspect Ratio	
V12	4:3 SVGA
V15	15:9 WXGA
Resolution	
V12	800 x 600 pixels
V15	1280 x 768 pixels
Brightness	
V12	360 nits
V15	360 nits
Contrast	
V12	1000:1
V15	700:1
Color Depth	24-bit, 16.7 million colors
Illumination	
V12	Backlit LED
V15	Backlit LED
Viewing Angle	
V12	±89° horizontal, ±89° vertical
V15	±88° horizontal, ±88° vertical
Touch Screen	Resistive membrane
Communications	
DigitalMedia	DM CAT, DMNet®, HDCP, EDID, 100 mbps Ethernet
USB	USB host, supports USB HID (Human Interface Device) class devices
Video	Refer to DGE-1, DGE-2 or DVPHD specifications for additional information
Input Signal Type	DM CAT
Input Resolution	
V12	800 x 600 @ 60 Hz
V15	1280 x 768 @ 60 Hz

*(Continued on following page)*

V12/15 Specifications (Continued)

SPECIFICATION	DETAILS
Audio  Input Signal Type Hardware Features Amplification	Refer to DGE-1 or DGE-2 specifications for additional information  DM CAT  Built-in microphone and amplified speakers  3 Watts x two channels
Power Requirements DMNet® Power Usage V12  V15	35 watts (1.46 amps @ 24 Vdc), normally powered from DGE (sold separately) via DMNet connection  30 watts (1.25 amps @ 24 Vdc), normally powered from DGE (sold separately) via DMNet connection
Environmental  Temperature Humidity Heat Dissipation V12 V15	41° to 113° F (5° to 45° C)  10% to 90% RH (non-condensing)  120 Btu/h 103 Btu/h
Enclosure V12  V15	Plastic case, VESA 75 x 75 mm mountable; V12-TILT model includes tabletop tilt stand with 0° to 35° adjustable screen tilt, optional swivel mount sold separately; V12-WALL model includes WMKC-V12 wall mount conversion kit with plastic front bezel, additional mounting accessories sold separately  Plastic case, VESA 75 x 75 mm mountable; V15-TILT model includes tabletop tilt stand with 0° to 35° adjustable screen tilt, optional swivel mount sold separately; V15-WALL model includes WMKC-V15 wall mount conversion kit with plastic front bezel, additional mounting accessories sold separately
Dimensions V12 Height Width Depth V12-TILT Height Width Depth	10.22 in (260 mm) 11.72 in (298 mm) 1.66 in (42 mm)  10.81 in (275 mm) max at 0° tilt 11.72 in (298 mm) 8.11 in (206 mm) max at 35° tilt

(Continued on following page)

*V12/15 Specifications (Continued)*

SPECIFICATION	DETAILS
Dimensions (Continued)	
V12-WALL	
Height	11.54 in (293 mm)
Width	13.04 in (332 mm)
Depth	2.01 in (52 mm)
V15	
Height	11.10 in (282 mm)
Width	15.33 in (390 mm)
Depth	1.85 in (47 mm)
V15-TILT	
Height	11.69 in (297 mm) max at 0° tilt
Width	15.33 in (390 mm)
Depth	8.35 in (212 mm) max at 35° tilt
V15-WALL	
Height	12.44 in (316 mm)
Width	16.67 in (424 mm)
Depth	2.20 in (56 mm)
Weight	
V12	5.0 lb (2.3 kg)
V12-TILT	9.0 lb (4.1 kg)
V12-WALL	8.3 lb (3.8 kg)
V15	7.5 lb (3.4 kg)
V15-TILT	11.5 lb (5.2 kg)
V15-WALL	11.8 lb (5.4 kg)
Available Models	
V12-B	V-Panel 12" VESA Mount HD Touch Screen Display, Black
V12-W	V-Panel 12" VESA Mount HD Touch Screen Display, White
V12-TILT-B	V-Panel 12" Tilt HD Touch Screen Display, Black
V12-TILT-W	V-Panel 12" Tilt HD Touch Screen Display, White
V12-WALL-B	V-Panel 12" Wall Mount HD Touch Screen Display, Black
V12-WALL-W	V-Panel 12" Wall Mount HD Touch Screen Display, White
V15-B	V-Panel 15" VESA Mount HD Touch Screen Display, Black
V15-W	V-Panel 15" VESA Mount HD Touch Screen Display, White
V15-TILT-B	V-Panel 15" Tilt HD Touch Screen Display, Black

*(Continued on following page)*

*V12/15 Specifications (Continued)*

SPECIFICATION	DETAILS
Available Models (Continued) V15-TILT-W V15-WALL-B V15-WALL-W	V-Panel 15” Tilt HD Touch Screen Display, White V-Panel 15” Wall Mount HD Touch Screen Display, Black V-Panel 15” Wall Mount HD Touch Screen Display, White
Included Accessories V12 V-CBL-T-3 V-CBL-T-6 V-IMCW WMKC-V12 V15 V-CBL-T-3 V-CBL-T-6 V-IMCW WMKC-V15	V-Cable Triamese Cable, 3 feet (~0.9 meters) (Included with V12 models only) V-Cable Triamese Cable, 6 feet (~1.8 meters) (Included with V12-TILT models only) V-Panel Interface Module (Included with V12 and V12-TILT models only) Wall Mount Conversion Kit for V12 (Included with V12-WALL models only) V-Cable Triamese Cable, 3 feet (~0.9 meters) (Included with V15 models only) V-Cable Triamese Cable, 6 feet (~1.8 meters) (Included with V15-TILT models only) V-Panel Interface Module (Included with V15 and V15-TILT models only) Wall Mount Conversion Kit for V12 (Included with V15-WALL models only)
Available Accessories BB-V12 BB-V15 BBI-V12 BBI-V15 DGE-1 DGE-2 DM-CBL DM-CONN DM-DR MMK-V12 MMK-V15	Pre-Construction Wall Mount Back Box for V12-WALL Pre-Construction Wall Mount Back Box for V15-WALL Wall Mount Back Box – International Version Wall Mount Back Box – International Version Digital Graphics Engine Digital Graphics Engine DigitalMedia Cable DigitalMedia Cable Connector DigitalMedia Repeater Mud Ring for BB-V12 or PMK-V12 Mud Ring for BB-V15 or PMK-V15

*(Continued on following page)*

*V12/15 Specifications (Continued)*

SPECIFICATION	DETAILS
Available Accessories (Continued)	
PMK-V12	Pre-Construction Wall Mounting Kit for V12-WALL
PMK-V15	Pre-Construction Wall Mounting Kit for V15-WALL
SMK-V15	Swivel Mount Kit for V12-TILT and V15-TILT
V-CBL-T	V-Cable Triamese Cables
V-IMCW	V-Panel Interface Module
WMKC-V12	Wall Mount Conversion Kit for V12
WMKC-V15	Wall Mount Conversion Kit for V15
WMKM-V12	Post-Construction Wall Mounting Kit with Mud Ring for V12-WALL
WMKM-V15	Post-Construction Wall Mounting Kit with Mud Ring for V15-WALL
WMKT-V12	Post-Construction Wall Mounting Kit with Trim Ring for V12-WALL
WMKT-V15	Post-Construction Wall Mounting Kit with Trim Ring for V15-WALL



## Physical Description

This section provides information on the connections, controls and indicators available on the V12/15.

*V12-TILT Physical View (Shown in Black)*



V12-WALL Physical View (Shown in White)



V15-TILT Physical View (Shown in Black)



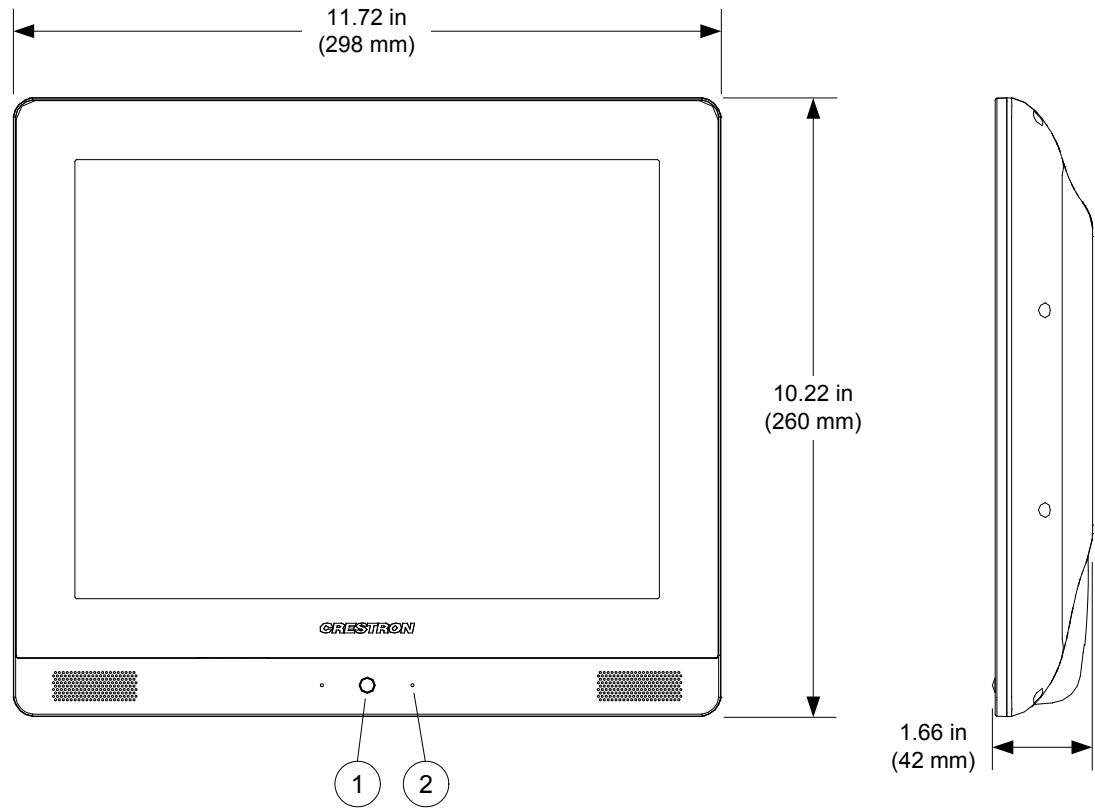
V15-WALL Physical View (Shown in White)

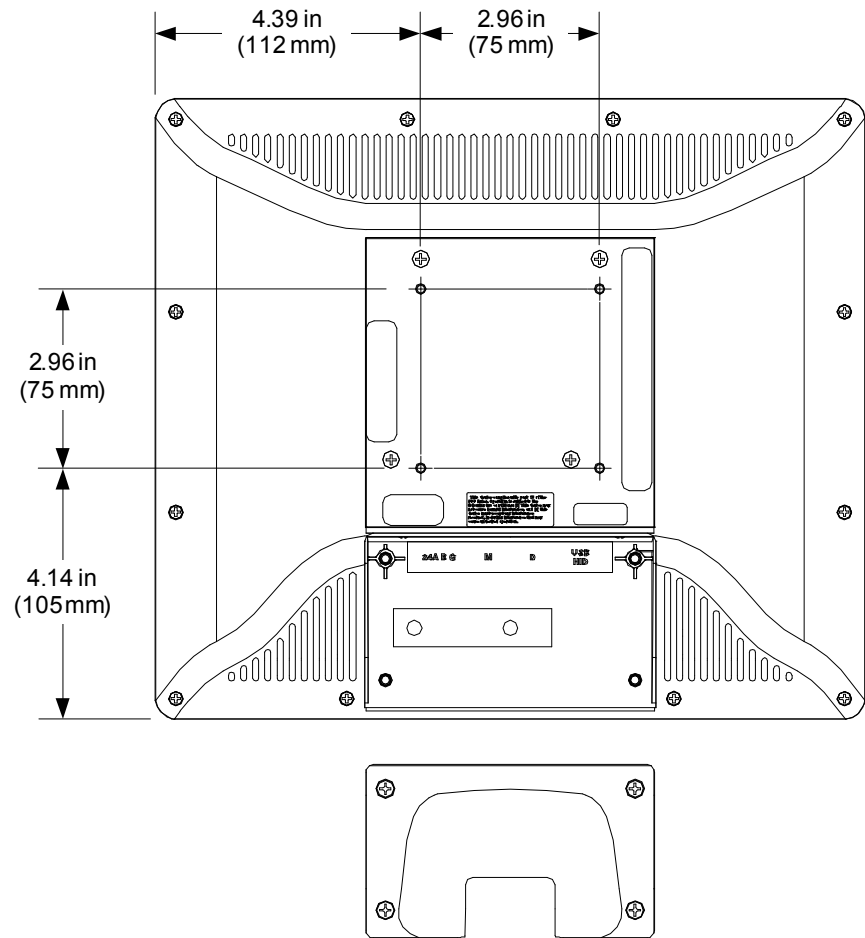


V-Panel Physical View (Rear Showing Connector Ports)



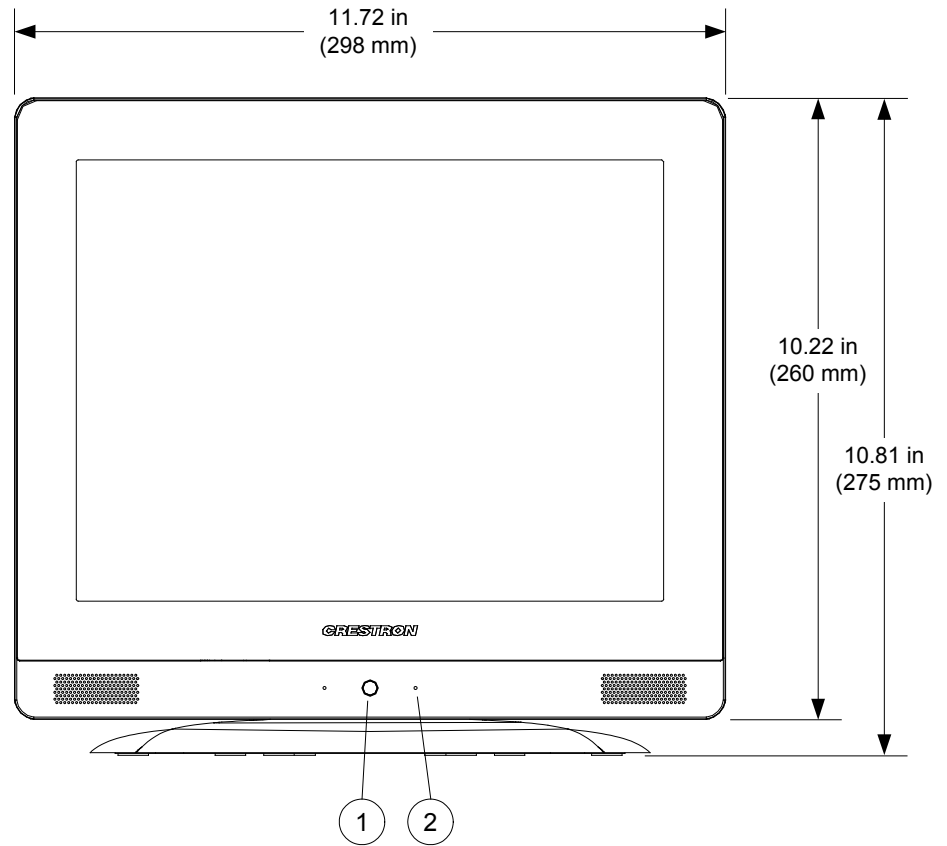
V12 Overall Dimensions (Front and Side Views)



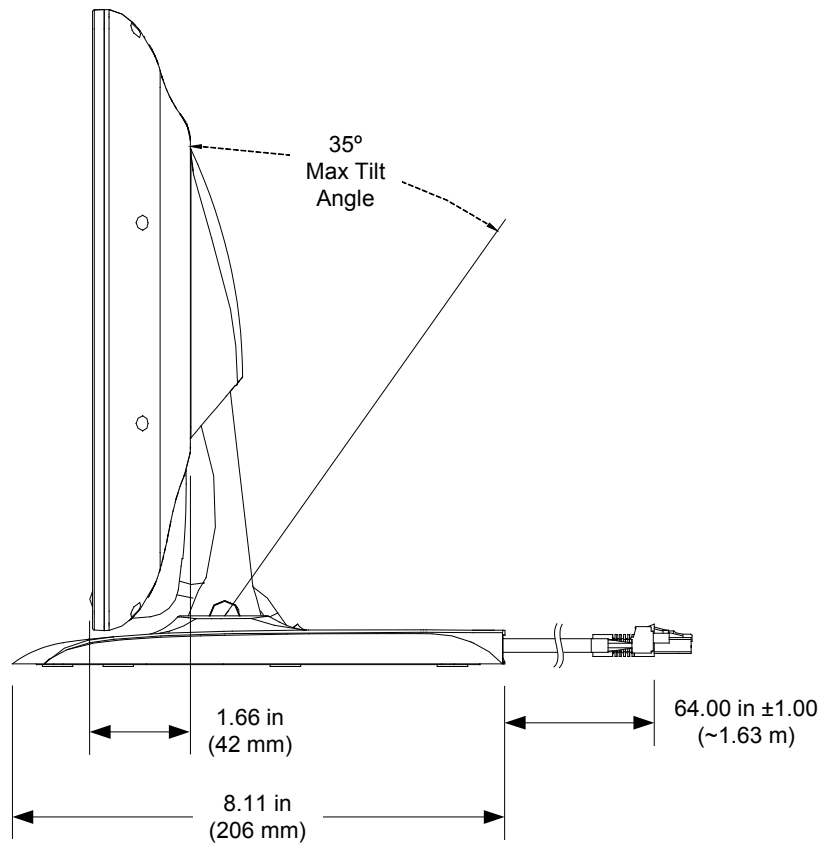
*V12 Overall Dimensions (Rear View)*

**NOTE:** In the illustration above, the V12 is shown with the rear cover removed. When making cable connections to the V12, first removing the four screws holding the cover in place, then remove the cover. Replace the cover when connections have been made.

*V12-TILT Overall Dimensions (Front View)*

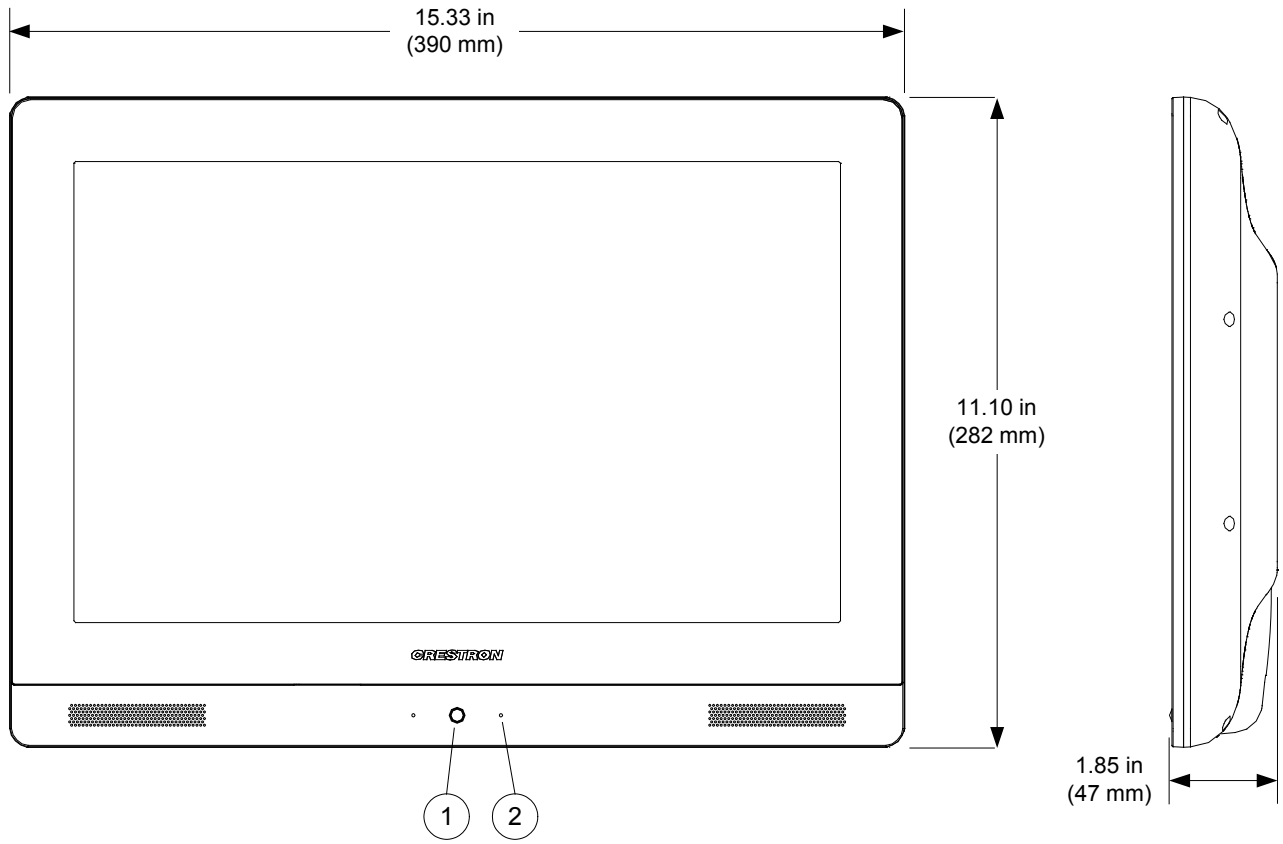


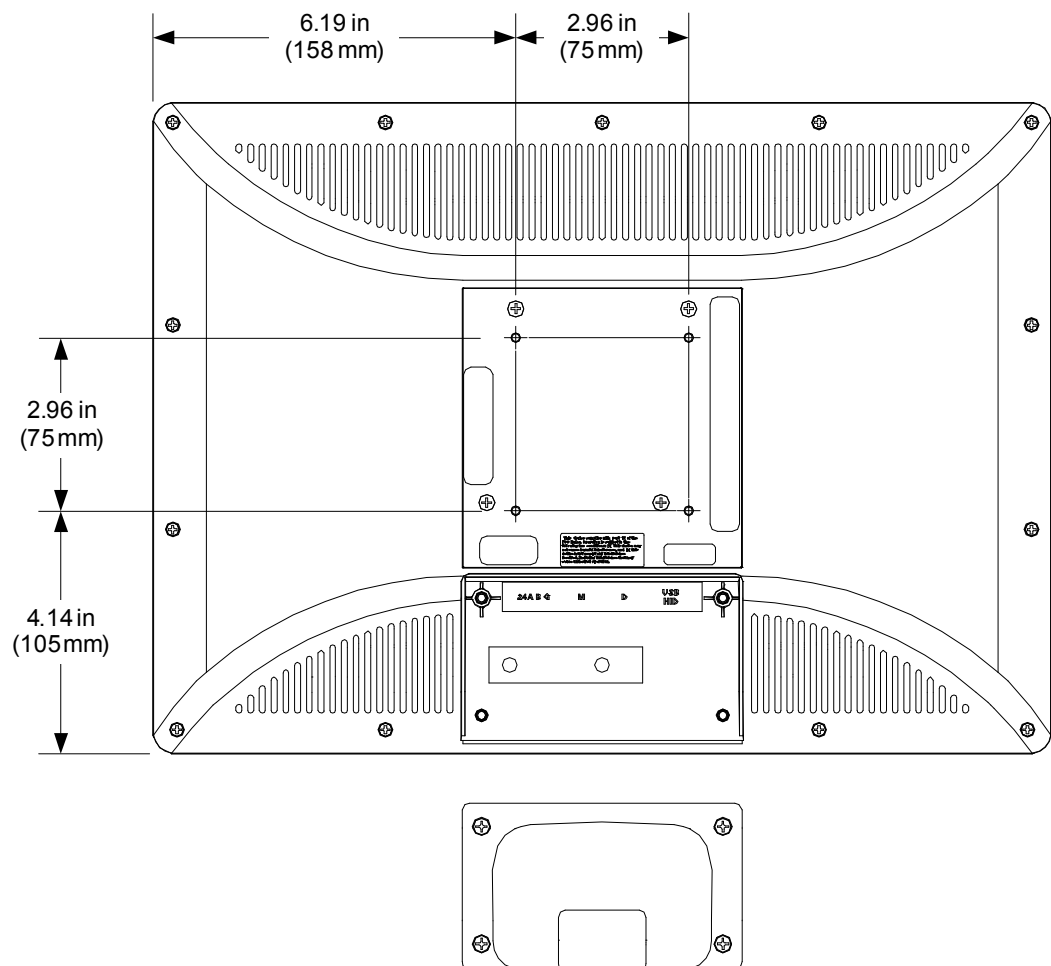
V12-TILT Overall Dimensions (Side View)





V15 Overall Dimensions (Front and Side Views)



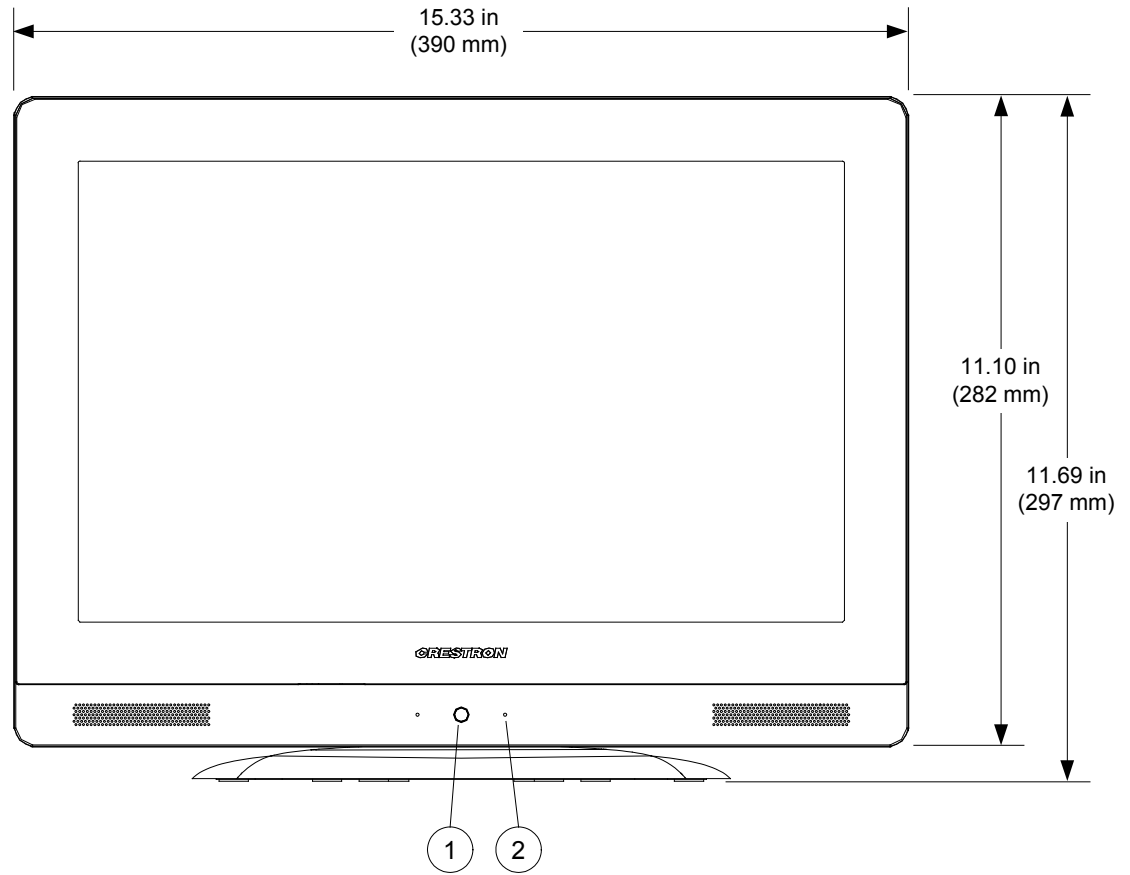
*V15 Overall Dimensions (Rear View)*

---

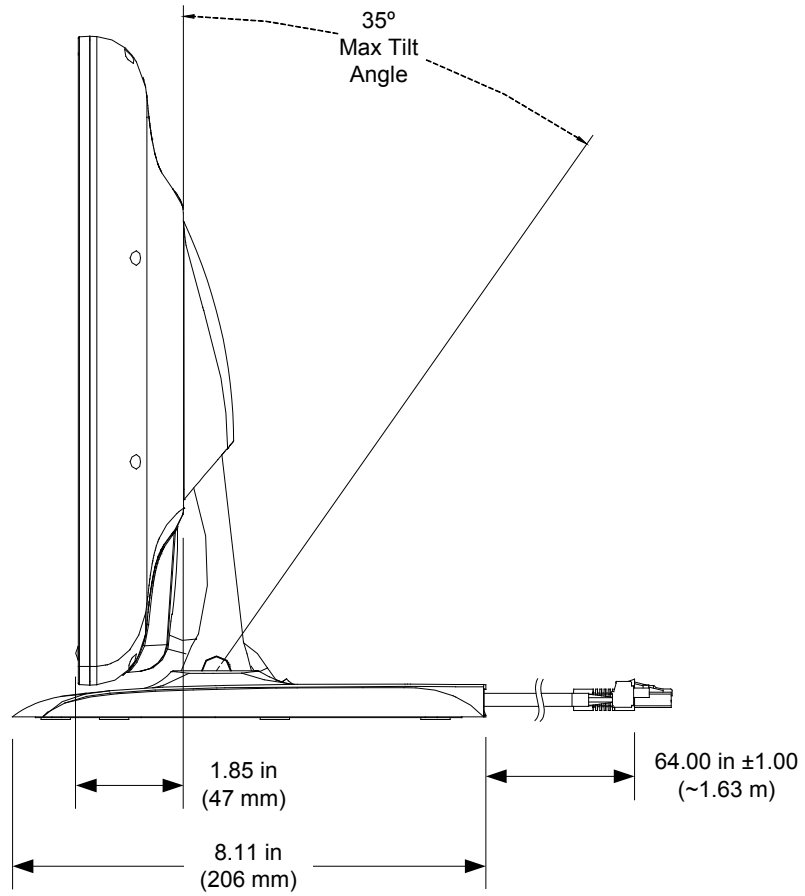
**NOTE:** In the illustration above, the V15 is shown with the rear cover removed. When making cable connections to the V15, first removing the four screws holding the cover in place, then remove the cover. Replace the cover when connections have been made.

---

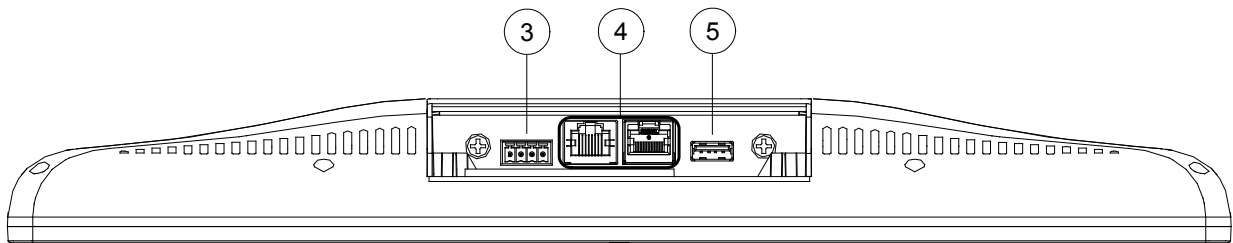
*V15-TILT Overall Dimensions (Front View)*



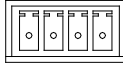
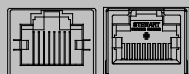

*V15-TILT Overall Dimensions (Side View)*



*V12/15 Overall Dimensions (Rear View – V15 Shown)*

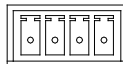


Connectors, Controls & Indicators

#	CONNECTORS <sup>1</sup> , CONTROLS & INDICATORS	DESCRIPTION
1	Hard Key	(1) Programmable push button, also reboots DGE if held for five seconds
2	DM Link LED	(1) Green LED, indicates power and connection to DGE or other DM device
3	24 A B G <sup>2, 3</sup> 24 A B G 	(1) 4-pin 3.5 mm detachable terminal block, DMNet port; Connects to DMNet port of a DGE, DGE-2, DM transmitter or DM switcher (all sold separately) via DB-CBL cable <sup>4, 5</sup>
4	DM INPUT D & M <sup>6</sup> M D 	(1) DM CAT input comprised of (2) 8-pin RJ-45 female, shielded; Connects to DM CAT output of a DGE-1, DGE-2, DM transmitter or DM switcher (all sold separately) via DB-CBL cable <sup>4, 5</sup>
5	USB 	(1) USB Type A female; USB host port for connection of a mouse/keyboard or other HID compliant device

1. Interface connectors for 24 A B G and DM INPUT ports are provided with the unit.
2. Refer to the following table for the 24 A B G connector pinouts.

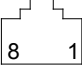
24 A B G Port

24 A B G 			
PIN #	SIGNAL	DESCRIPTION	WIRE COLOR
24	24V DC	DC Power	Red
A	DMNet+	DMNet	White
B	DMNet-	DMNet	Blue
G	Ground	DC Ground	Black

3. DMNet wiring is not compatible with Cresnet® wiring. DMNet wiring cannot be daisy chained.
4. The V12/15 features a DM CAT type input. For direct connection to a DGE-1, use DM-CBL DigitalMedia cable up to 150 feet (45 meters) in length. For connection to a DGE-2, direct or via a DigitalMedia switcher, use DM-CBL DigitalMedia cable up to 300 feet (91 meters) in length. For connection to a DVPHD, via a DigitalMedia transmitter or switcher, use DM-CBL DigitalMedia cable up to 300 feet (91 meters) in length. A single DM Repeater (model DM-DR, sold separately) is required for lengths over 150 feet (45 meters). Deduct 20 feet (6 meters) for each V-IMCW interface module. Refer to the latest version of the Crestron DigitalMedia Design Guide (Doc. 4546) for DM system design guidelines. The V12 and V15 include (1) V-CBL-T3 three foot (~0.9 meter) V-Cable and V-IMCW interface module and the V12-TILT and V15-TILT models include (1) V-CBL-T6 6 foot (~1.8 meter) V-Cable and V-IMCW interface module. The V12-WALL and V15-WALL models include no cable or interface module. Refer to the spec sheet for each individual product or contact your Crestron representative for complete information.
5. An Ethernet enabled control system and DM CAT interface are required for use with a DVPHD. Be advised, DVPHD does not support audio, intercom, streaming media, Web browsing or other embedded PC functionality.

6. The **DM INPUT** port consists of two separate RJ-45 connectors labeled **D** and **M**. The **D** port carries HDMI signal. The **M** port carries data. Refer to the following table for the connector pinouts.

*D and M Ports*

			
PIN #	WIRE COLOR	PIN #	WIRE COLOR
1	Orange/White	5	Blue/White
2	Orange	6	Green
3	Green/White	7	Brown/White
4	Blue	8	Brown

## Setup

### Configuring the V-Panel

The V-Panel is configured from the setup menu using the DGE Digital Graphics Engine (sold separately). Refer to the Operations Guide that came with the DGE.

### Hardware Hookup

#### Ventilation

The V12/15 should be used in a well-ventilated area.

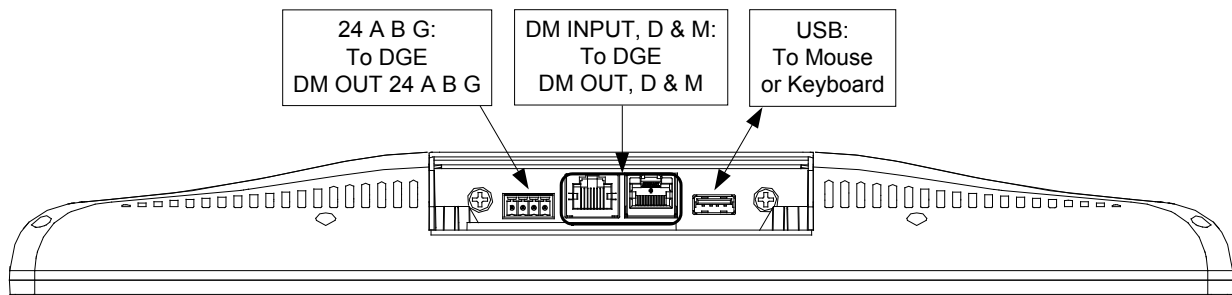
To prevent overheating, do not operate this product in an area that exceeds the environmental temperature range listed in the table of specifications.

#### Connect the Device

Make the necessary connections as called out in the illustration that follows this paragraph. Apply power after all connections have been made.

When making connections to the V12/15, use Crestron power supplies for Crestron equipment.

#### Hardware Connections for the V12/15 (V15 Shown)



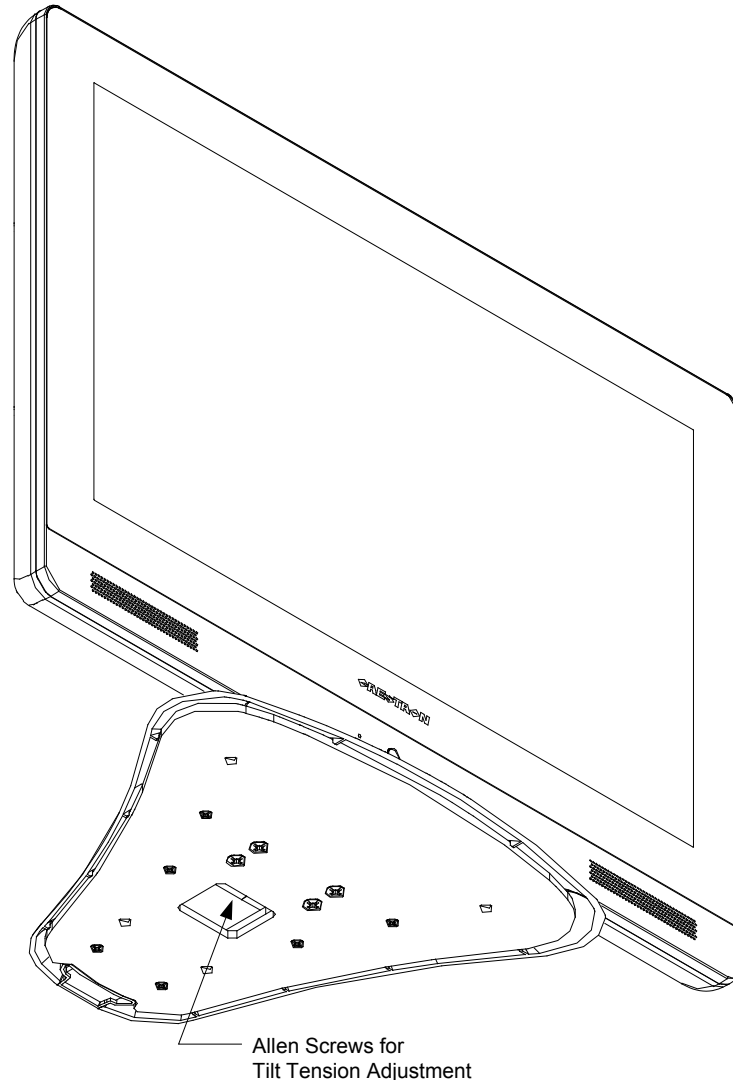
**NOTE:** The V12/15 features a DM CAT type input. For direct connection to a DGE-1, use DM-CBL DigitalMedia cable up to 150 feet (45 meters) in length. For connection to a DGE-2, direct or via a DigitalMedia switcher, use DM-CBL DigitalMedia cable up to 300 feet (91 meters) in length. For connection to a DVPHD, via a DigitalMedia transmitter or switcher, use DM-CBL DigitalMedia cable up to 300 feet (91 meters) in length. A single DM Repeater (model DM-DR, sold separately) is required for lengths over 150 feet (45 meters). Deduct 20 feet (6 meters) for each V-IMCW interface module. Refer to the latest version of the Crestron DigitalMedia Design Guide (Doc. 4546) for DM system design guidelines. The V12 and V15 include (1) V-CBL-T3 three foot (~0.9 meter) V-Cable and V-IMCW interface module and the V12-TILT and V15-TILT models include (1) V-CBL-T6 6 foot (~1.8 meter) V-Cable and V-IMCW interface module. The V12-WALL and V15-WALL models include no cable or interface module. Refer to the spec sheet for each individual product or contact your Crestron representative for complete information.

**NOTE:** DMNet® wiring and Cresnet® wiring are not compatible.

## Tilt Tension Adjustment

Tilt tension on the V12 and V15 is preset at the factory to allow the panel to be tilted anywhere within its 35 degree tilt range and maintain its position during use. To tighten tilt tension or to fix the panel at a given tilt position, use the three Allen screws accessed through the hole in the touch screen base, as shown in the following illustration.

### *Position of Allen Screws for Tilt Tension Adjustment*



## Recommended Cleaning

Keep the surface of the touch screen free of dirt, dust or other materials that could degrade optical properties. Long-term contact with abrasive materials can scratch the surface, which may detrimentally affect image quality.

For best cleaning results, use a clean, damp, non-abrasive cloth with any commercially available non-ammonia glass cleaner. Bezels may not provide a complete watertight seal. Therefore, apply cleaning solution to the cloth rather than the surface of the touch screen. Wipe touch screen clean and avoid getting moisture beneath the bezels.



---

## Resources

### Reference Documents

The latest version of all documents mentioned within the guide can be obtained from the Crestron Web site ([www.crestron.com/dmresources](http://www.crestron.com/dmresources)).

#### *List of Related Reference Documents*

DOCUMENT TITLE
Crestron DigitalMedia Design Guide

### Further Inquiries

To locate specific information or resolve questions after reviewing this guide, contact Crestron's True Blue Support at 1-888-CRESTRON [1-888-273-7876] or refer to the listing of Crestron worldwide offices on the Crestron Web site ([www.crestron.com/offices](http://www.crestron.com/offices)) for assistance within a particular geographic region.

To post a question about Crestron products, log onto the Online Help section of the Crestron Web site ([www.crestron.com/onlinehelp](http://www.crestron.com/onlinehelp)). First-time users must establish a user account to fully benefit from all available features.

### Future Updates

As Crestron improves functions, adds new features and extends the capabilities of the V12/15, additional information may be made available as manual updates. These updates are solely electronic and serve as intermediary supplements prior to the release of a complete technical documentation revision.

Check the Crestron Web site periodically for manual update availability and its relevance. Updates are identified as an "Addendum" in the Download column.

---

## Return and Warranty Policies

### Merchandise Returns / Repair Service

1. No merchandise may be returned for credit, exchange or service without prior authorization from Crestron. To obtain warranty service for Crestron products, contact an authorized Crestron dealer. Only authorized Crestron dealers may contact the factory and request an RMA (Return Merchandise Authorization) number. Enclose a note specifying the nature of the problem, name and phone number of contact person, RMA number and return address.
2. Products may be returned for credit, exchange or service with a Crestron Return Merchandise Authorization (RMA) number. Authorized returns must be shipped freight prepaid to Crestron, 6 Volvo Drive, Rockleigh, N.J. or its authorized subsidiaries, with RMA number clearly marked on the outside of all cartons. Shipments arriving freight collect or without an RMA number shall be subject to refusal. Crestron reserves the right in its sole and absolute discretion to charge a 15% restocking fee plus shipping costs on any products returned with an RMA.
3. Return freight charges following repair of items under warranty shall be paid by Crestron, shipping by standard ground carrier. In the event repairs are found to be non-warranty, return freight costs shall be paid by the purchaser.

### Crestron Limited Warranty

Crestron Electronics, Inc. warrants its products to be free from manufacturing defects in materials and workmanship under normal use for a period of three (3) years from the date of purchase from Crestron, with the following exceptions: disk drives and any other moving or rotating mechanical parts, pan/tilt heads and power supplies are covered for a period of one (1) year; touch screen display and overlay components are covered for 90 days; batteries and incandescent lamps are not covered.

This warranty extends to products purchased directly from Crestron or an authorized Crestron dealer. Purchasers should inquire of the dealer regarding the nature and extent of the dealer's warranty, if any.

Crestron shall not be liable to honor the terms of this warranty if the product has been used in any application other than that for which it was intended or if it has been subjected to misuse, accidental damage, modification or improper installation procedures. Furthermore, this warranty does not cover any product that has had the serial number altered, defaced or removed.

This warranty shall be the sole and exclusive remedy to the original purchaser. In no event shall Crestron be liable for incidental or consequential damages of any kind (property or economic damages inclusive) arising from the sale or use of this equipment. Crestron is not liable for any claim made by a third party or made by the purchaser for a third party.

Crestron shall, at its option, repair or replace any product found defective, without charge for parts or labor. Repaired or replaced equipment and parts supplied under this warranty shall be covered only by the unexpired portion of the warranty.

Except as expressly set forth in this warranty, Crestron makes no other warranties, expressed or implied, nor authorizes any other party to offer any warranty, including any implied warranties of merchantability or fitness for a particular purpose. Any implied warranties that may be imposed by law are limited to the terms of this limited warranty. This warranty statement supersedes all previous warranties.

This page is intentionally left blank.



Crestron Electronics, Inc.  
15 Volvo Drive Rockleigh, NJ 07647  
Tel: 888.CRESTRON  
Fax: 201.767.7576  
[www.crestron.com](http://www.crestron.com)



Operations Guide – DOC. 6806F  
(2024096)

05.13

Specifications subject to  
change without notice.