

Iris EF

Infrared Radiator

Order # 722.839



FEATURES

- DQPSK digital modulation technology
- Band IV operation between 2 and 6 MHz
- For the use in conference rooms, even in daylight
- Switch to compensate the signal delay when using several radiators in one system
- Radiation angle $\pm 25^\circ$
- Stand-by function
- Connection to connect further radiators in a daisy chain
- Half-power / full-power
the operating mode can be selected with a switch

DESCRIPTION

The Iris EF radiator belongs to the latest generation of infrared system high power radiators for the wireless Iris audio system. An electrical signal supplied from the Iris TS infrared control unit is converted into infrared light invisible to people and radiated into the room. The signal to be transmitted can comprise up to 16 channels in the range of 2 to 6 MHz (band IV). For installation a separate mounting bracket is available. Up to 30 Iris EF radiators can be connected to a total of four signal outputs of one Iris TS control unit in a daisy chain. If the Iris EF radiator does not receive a signal, it automatically turns into the standby mode. When the temperature of the radiator is too high, the system will automatically switch from full power to half power. If the temperature is still too high, the radiator will be switched to stand-by mode.

TECHNICAL SPECIFICATIONS

Number of IR LEDs.	275
Total IR output at 20 °C.	8 Wrms 16 Wpp
Total optical peak intensity.	9 W/sr
Modulation	DQPSK
Modulation frequency.	2 to 6 MHz
IR wavelength.	$\lambda_p = 850 \text{ nm}$
Angle of radiation.	$\pm 25^\circ$
RF input.	Nominal 2 Vpp, minimum 20 mVpp, 75 Ω
RF output	1 Vpp, 0 V DC, 75 Ω
Supply voltage.	110 - 240 V, 50 to 60 Hz
Power consumption.	max. 36 W
Power consumption (stand-by)	3 W
Dimensions (H x W x D).	228 x 452 x 218 mm
Weight	4.95 kg
Colour.	black

SUPPLIED ACCESSORIES

- 1 power cable, 4 m / 12.5 ft
- 1 BNC connecting cable, 3.5 m / 11 ft
- 1 terminating resistor, 75 Ω

OPTIONAL ACCESSORIES

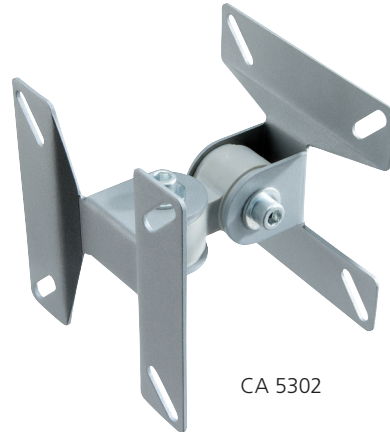
- CA 5111 Connecting cable BNC male-male, length 10 m, 75 ohms Order # 723.096
- CA 5121 Connecting cable BNC male-male, length 20 m, 75 ohms Order # 723.118
- CA 5302 Bracket for wall mounting of Iris EF Order # 722.871

Iris EF

OPTIONAL ACCESSORIES

CA 5302 bracket for wall mounting for Iris EF infrared radiator

The CA 5302 bracket for wall mounting is used for installing the Iris EF infrared radiator. The bracket consists of two elements, one is mounted to the Iris EF radiator and the other to the wall. The element, which is mounted to the radiator, can be swivelled in an angle of 30° up/down or to the left/right.



CA 5302

DRILLING TEMPLATE FOR CA 5302

